



CHILLWATER FAN COIL AQBWW

FEATURES

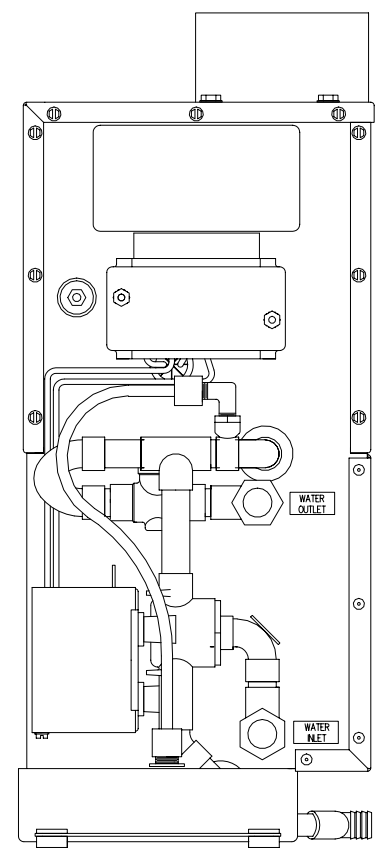
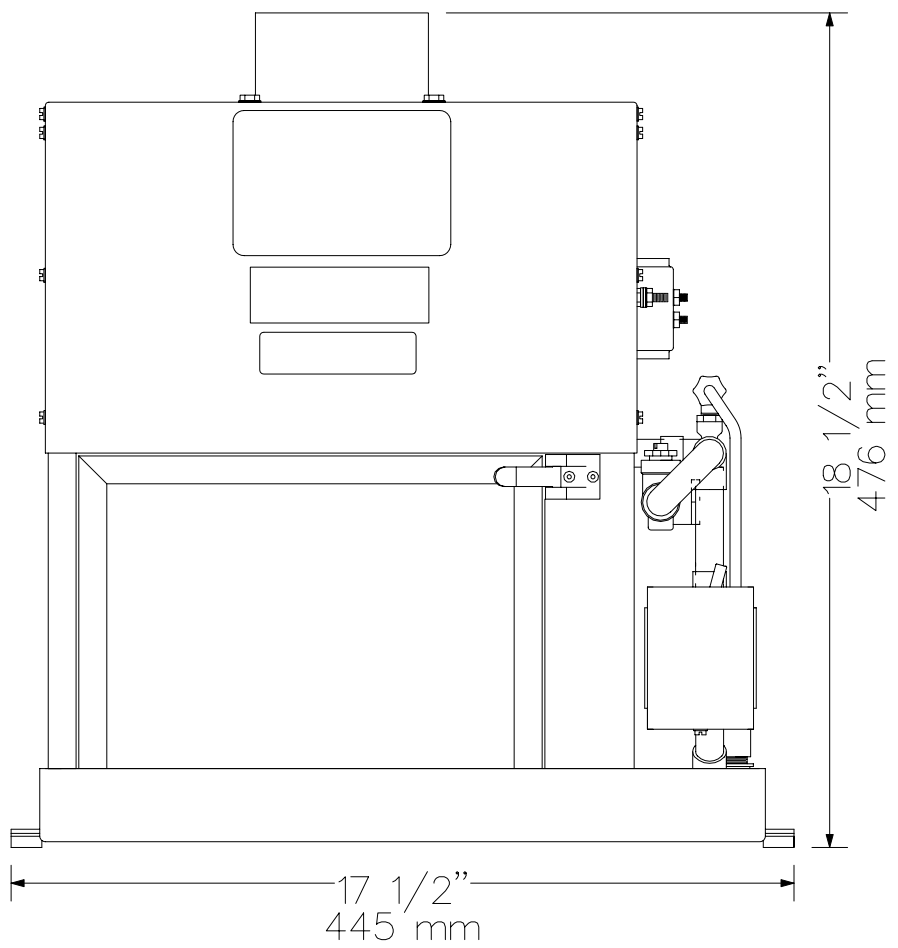
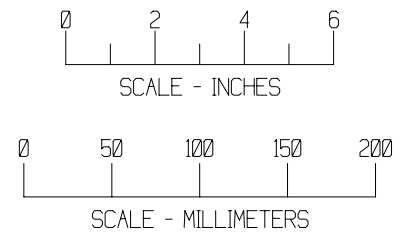
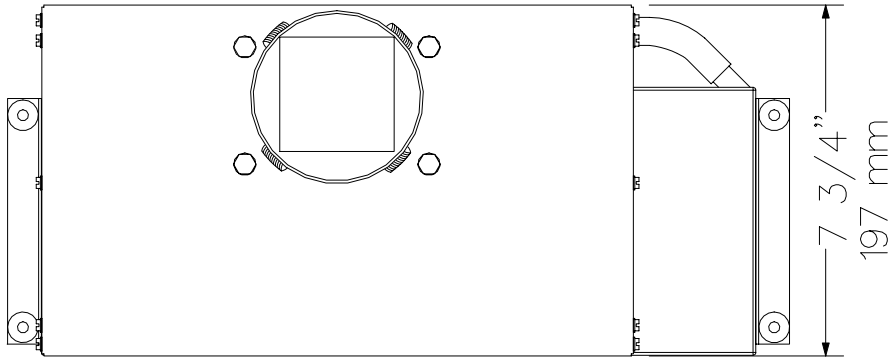
- ' High capacity squirrel cage blower is designed for quiet operation with flexible duct systems.
- ' Blower discharge is easily rotated from the top to the front or rear of the unit
- ' Shaded pole blower motor for quiet operation on variable voltage fan speed controls
- ' Standard 4" flexible duct connector installed on the unit. This connector also adapts to Aqua-Air AT series adapter duct tees.
- ' Three way motorized water valve is pre-installed on the unit. A separate valve assembly is not necessary.
- ' Dual condensate outlets on the drain pan are factory connected into a common 1/2" hose barb tee for ease of installation.
- ' Four vibration isolation mounting points, two per side.
- ' The air bleeder is mounted on the end of a 12" plastic tube for easy access during commissioning of the system.
- ' All surfaces that might have condensate form on them are covered in 1/8" thick foam insulation.
- ' Units available for 115/1/60, 100/1/50, 208-230/1/60 and 200-220/1/50 power inputs.

SPECIFICATIONS	
COOLING CAPACITY	3,000 BTU/HR 756 KCAL/HR
AIR FLOW CAPACITY	100 CFM 170 M ³ H
WEIGHT	20 LBS 9.1 KGS
AMPERAGE DRAW	1.02 @ 115-1-60 0.51 @ 230-1-60
POWER CONSUMPTION	80 W
MINIMUM RETURN AIR GRILLE SIZE	40 in ² 260 cm ²
MINIMUM SUPPLY AIR GRILLE SIZE	15 in ² 100 cm ²
CHILLWATER INLET / OUTLET SIZE	1/2" FPT
MAXIMUM DUCT HEATER	1 Kw

ADD "C" TO THE END OF THE MODEL NUMBER FOR A 208-230/1/60 UNIT, "CK" FOR A 200-220/1/50 UNIT

80915.WPD

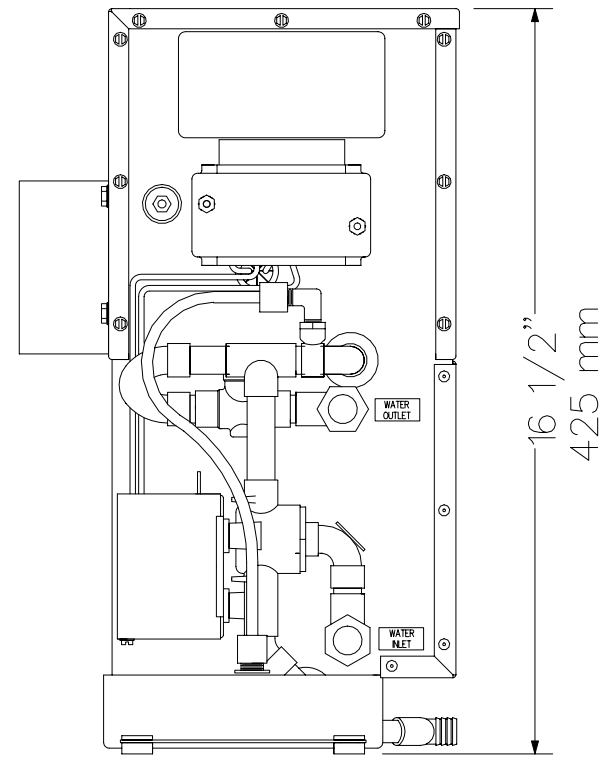
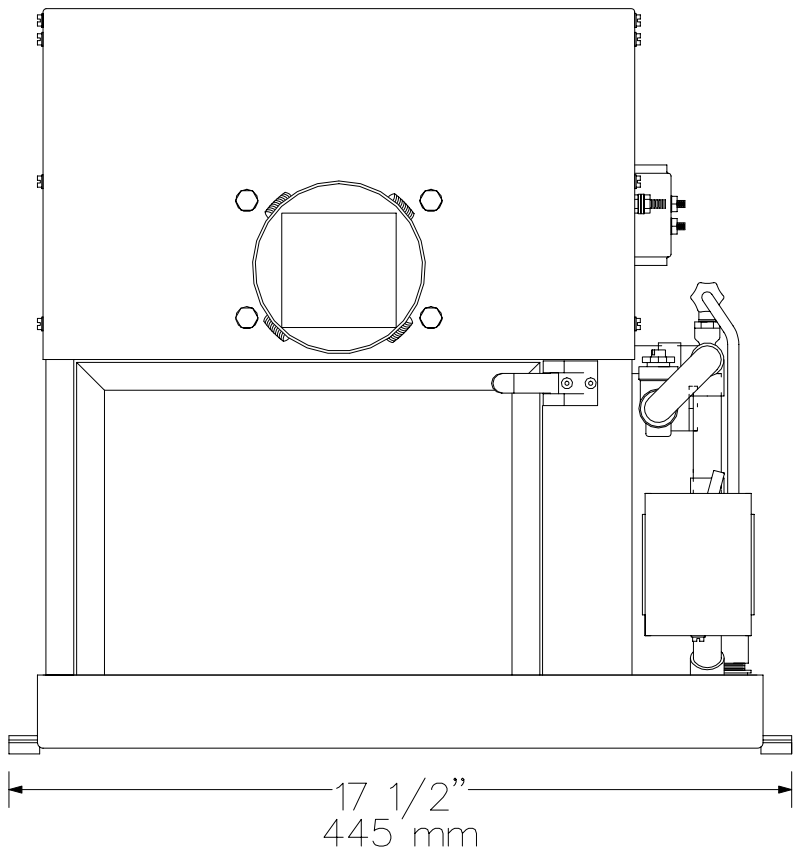
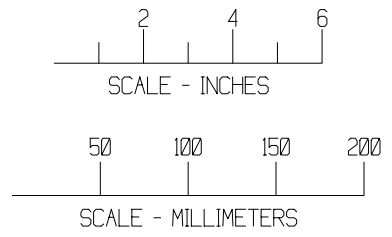
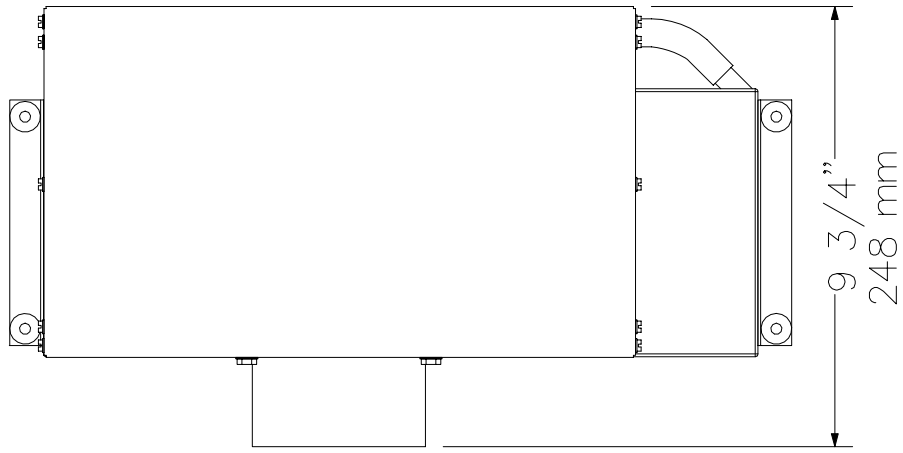
**AQUA-AIR MANUFACTURING, division of the James D. Nall Co., Inc.
 1050 East 9th Street, Hialeah, Florida 33010 U.S.A.
 Ph. 305-884-8363 Fax 305-883-8549 Email sales@aquair.com**



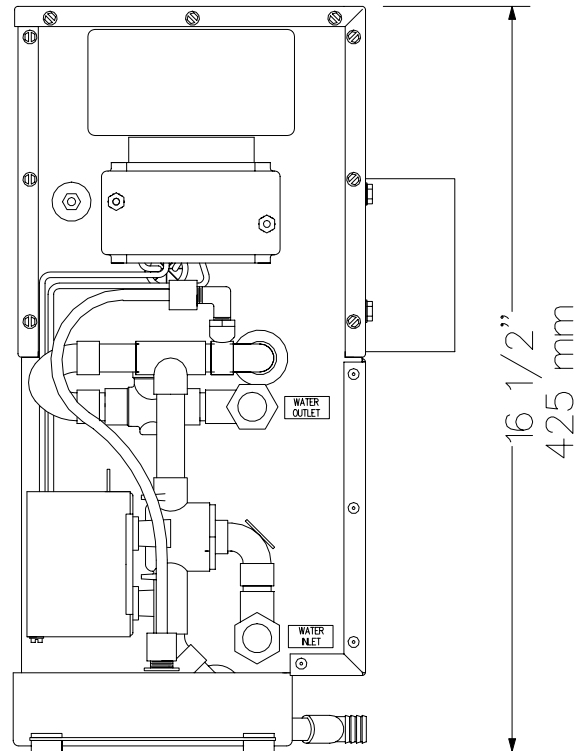
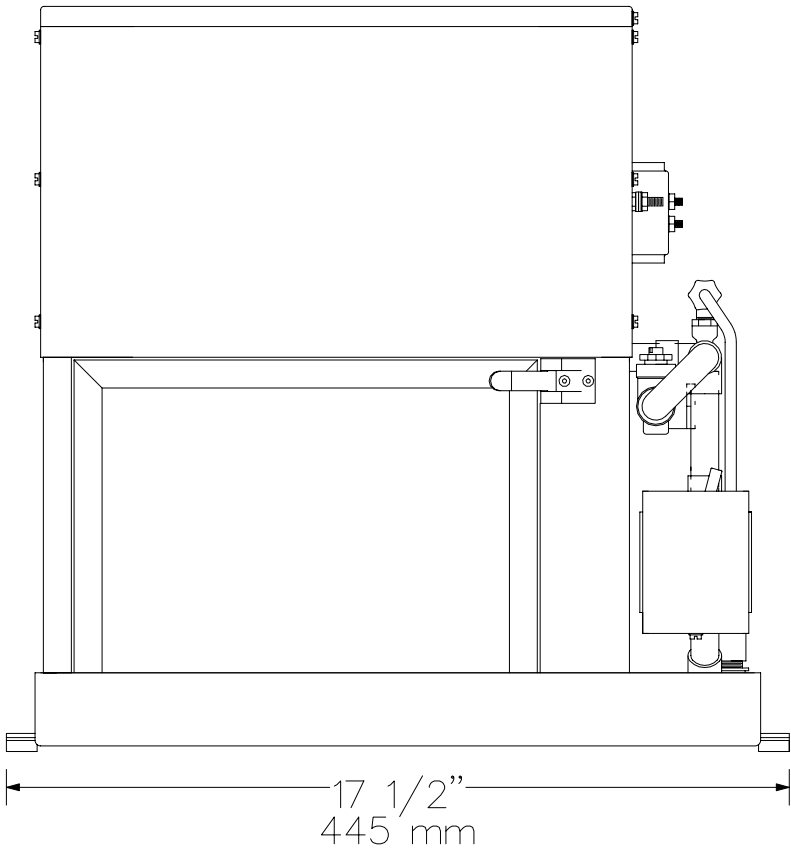
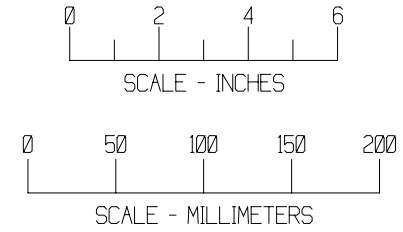
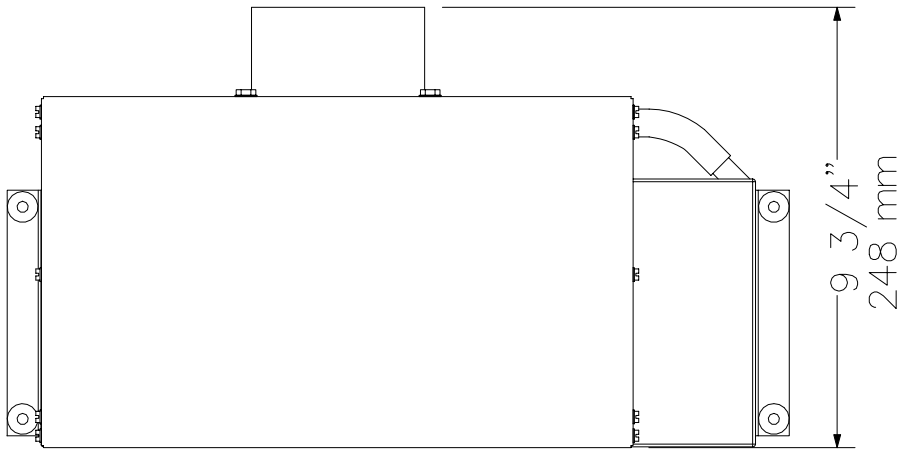
AQUA-AIR MARINE AIR CONDITIONING SYSTEMS

AQBVW-01 FAN COIL
TOP DISCHARGE CONFIGURATION

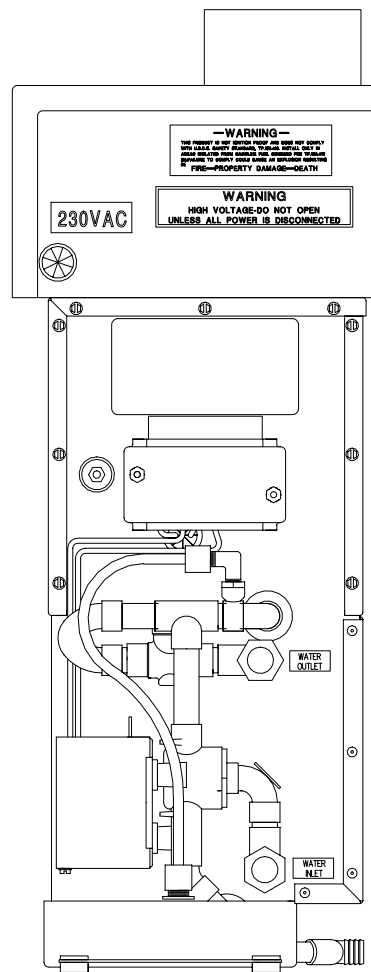
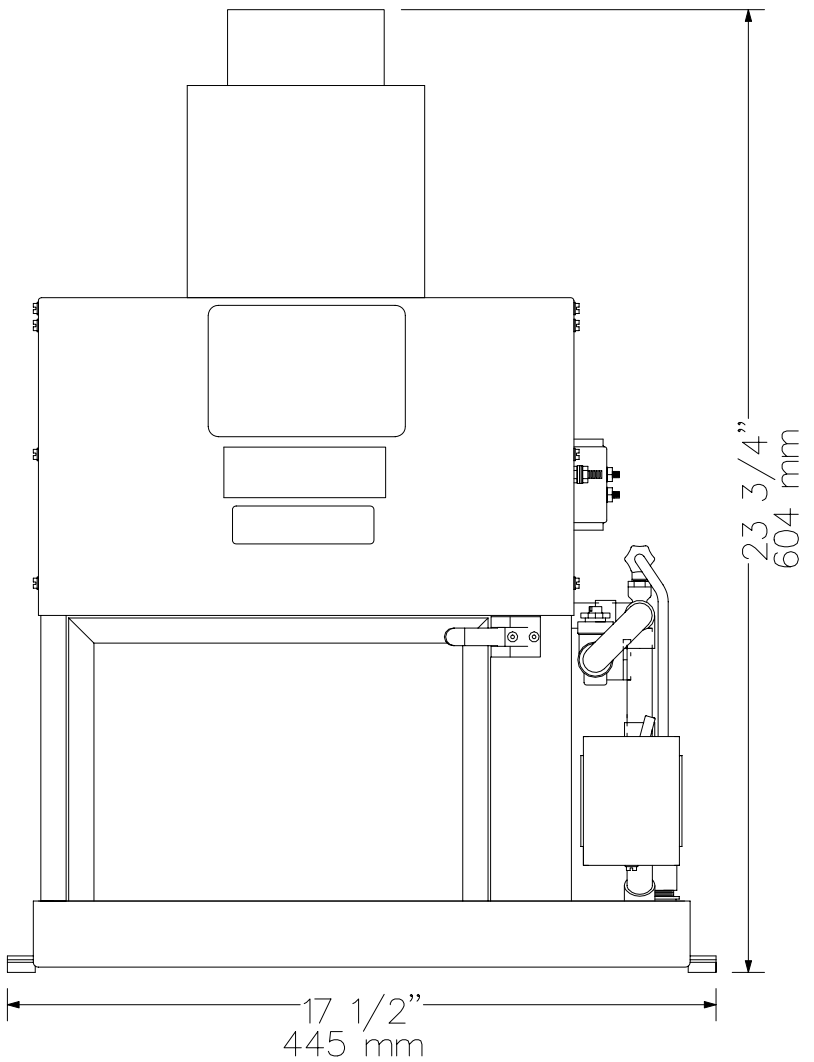
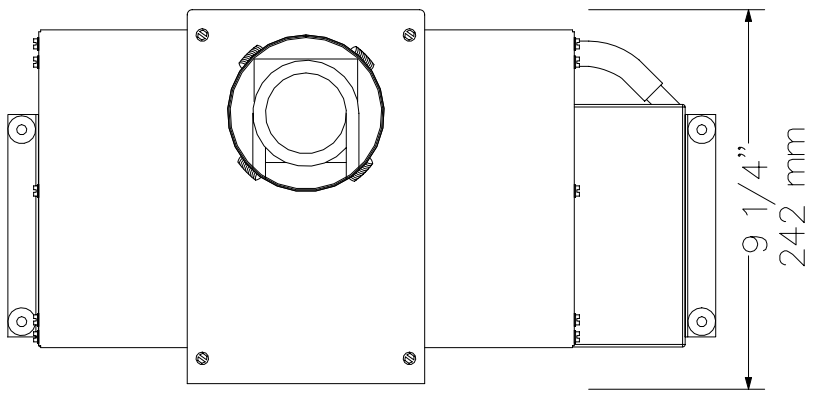
DRAWING NUMBER	AQBVW-01a	DRAWN BY	DN	DATE	4-01
SCALE	FULL	APPROVED BY		REVISION DATE	
					REV A



AQUA-AIR		MARINE AIR CONDITIONING SYSTEMS	
AQBVW-01 FAN COIL FRONT DISCHARGE CONFIGURATION			
DRAWING NUMBER	AQBVW-01b	DRAWN BY	DN
		DATE	4-01
SCALE	FULL	APPROVED BY	REVISION DATE
			REV A

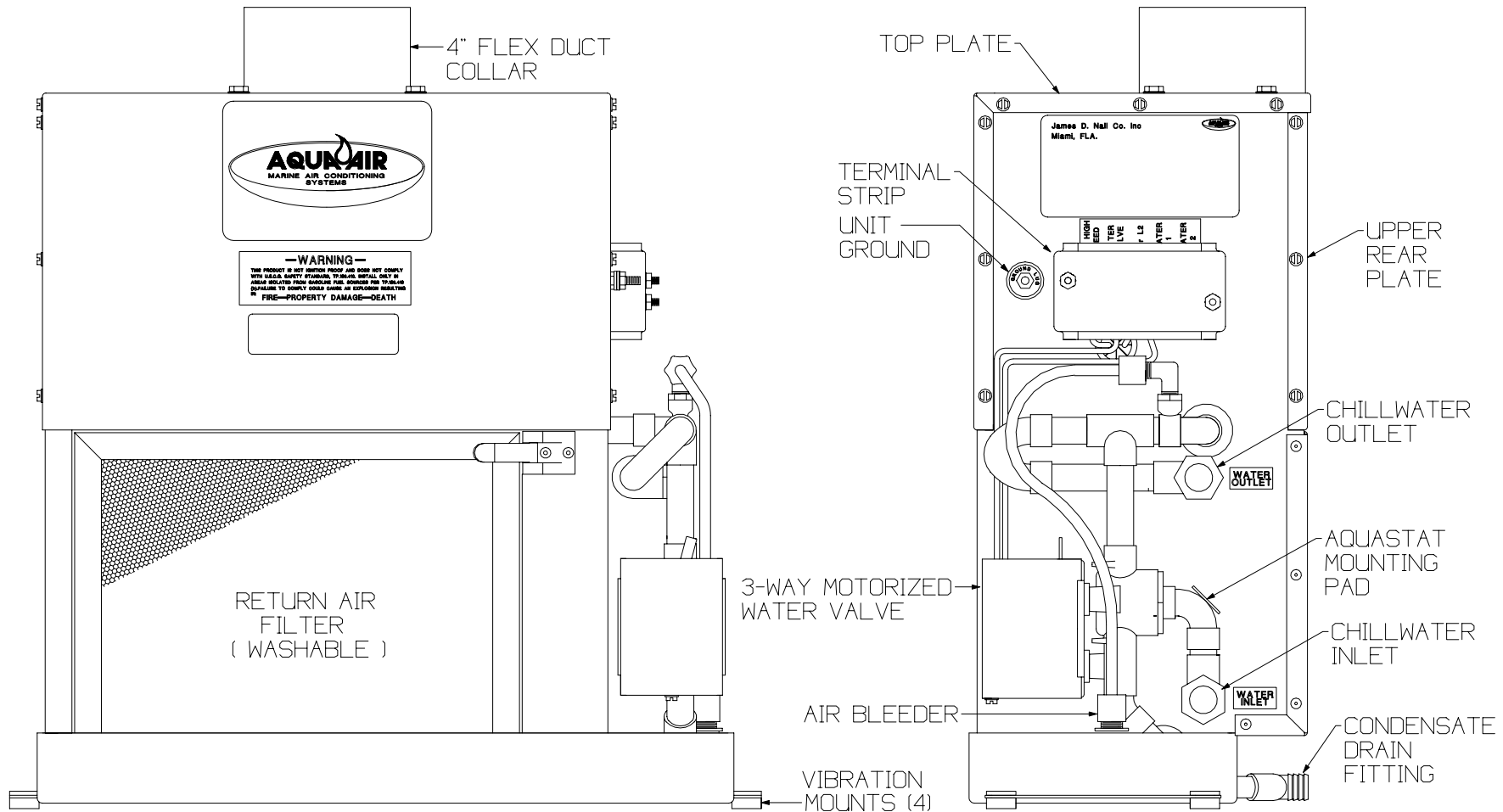


AQUA-AIR MARINE AIR CONDITIONING SYSTEMS			
AQBW-01 FAN COIL REAR DISCHARGE CONFIGURATION			
DRAWING NUMBER	AQBW-01c	DRAWN BY	DN
		DATE	4-01
SCALE	FULL	APPROVED BY	REVISION DATE
			REV A



BH4-2401
ELECTRIC
HEAT

AQUA-AIR		MARINE AIR CONDITIONING SYSTEMS	
AQBW-01 FAN COIL w/ BH4-2401 SERIES ELECTRIC HEAT			
DRAWING NUMBER	AQBW-01d	DRAWN BY	DN
SCALE	FULL	DATE	4-01
APPROVED BY		REVISION DATE	
			REV A

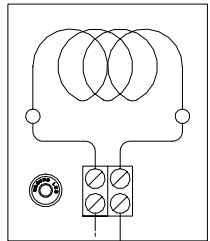


SPARE PARTS

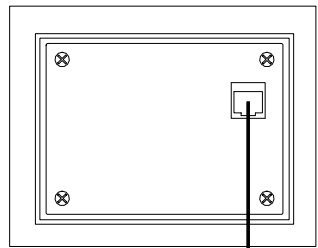
110526-08	DRAIN FITTING TEE 1/2"
201213-00	FAN MOTOR/BLOWER ASSEMBLY 115V
201213-01	FAN MOTOR/BLOWER ASSEMBLY 230V
203507-00	MOTORIZED WATER VALVE BLACK CAP
207828-00	RETURN AIR FILTER, ALUMINUM
212606-00	MOTORIZED WATER VALVE MOTOR 115V
212608-00	MOTORIZED WATER VALVE MOTOR 230V
216080-03	AIR BLEEDER VALVE
220206-00	VIBRATION MOUNT, RUBBER
223519-10	VALVE MOTOR POP-TOP ASSEMBLY 115V
223519-20	VALVE MOTOR POP-TOP ASSEMBLY 230V
CCA-BVW-01	COIL ASSEMBLY, LESS VALVE
VA-04	WATER VALVE ASSEMBLY 115V
VA-04C	WATER VALVE ASSEMBLY 230V

AQUA-AIR MARINE AIR CONDITIONING SYSTEMS			
AQBVW-01 SPARE PARTS LIST			
DRAWING NUMBER	80915	DRAWN BY	DN
		DATE	4-01
SCALE	NONE	APPROVED BY	REVISION DATE
			REV A

DUCT HEATER (DH SERIES) or
BLOWER HEATER (BH SERIES)



MULTIPLE FAN COILS
CAN BE
CONNECTED IN PARALLEL
TO THE THERMOSTAT
PROVIDED THEY DO NOT
EXCEED THE MAXIMUM
AMPERAGE RATINGS OF
THE CONTROL MODULE



DISPLAY
HEAD

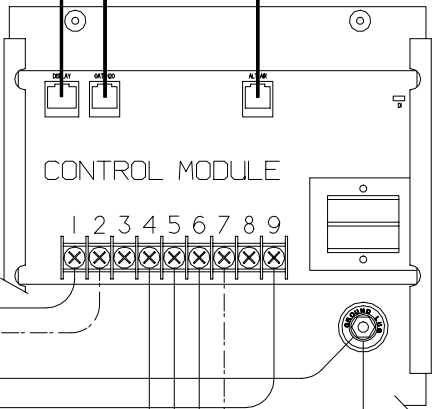
INLET WATER SENSOR NOTE
ATTACH SENSOR TO THE
WATER INLET LINE AT
FAN COIL WATER VALVE

DISPLAY
CABLE

SENSORS

- INLET WATER SENSOR
- ROOM AIR SENSOR

MAXIMUM CIRCUIT RATINGS
WATER VALVE 1/4A
FAN MOTOR 6A
HEATER 20A

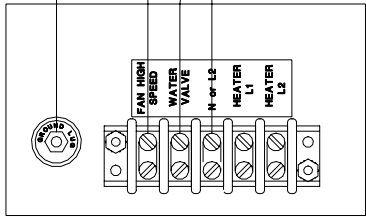


CONTROL MODULE

TERMINAL BLOCK CONNECTIONS

1. HEATER ELEMENT L1
2. HEATER ELEMENT L2
3. N/A
4. WATER VALVE L2
5. WATER VALVE L1
6. POWER INPUT L1
7. POWER INPUT L2 or N
8. FAN L2
9. FAN L1

NOTE: ALL L2's ARE COMMON
TO EACH OTHER



AQBVW-01C
FAN COIL UNIT

POWER INPUT
115/1/60
200-230/1/50-60

L1
L2 or N
G

NOTE: FAN COIL MOTOR, WATER VALVE & HEATER MUST BE
RATED FOR THE SAME VOLTAGE AS THE POWER INPUT.

AQUA-AIR MARINE AIR CONDITIONING
SYSTEMS

TW2W DIGITAL THERMOSTAT w/ SINGLE
AQBVW-01 FAN COIL 115 or 230V
AND SINGLE PHASE ELECTRIC HEATER

DRAWING NUMBER	4009-53	DRAWN BY	CP	DATE	12-20-99
SCALE	NONE	APPROVED BY		REVISION DATE	
					REV A