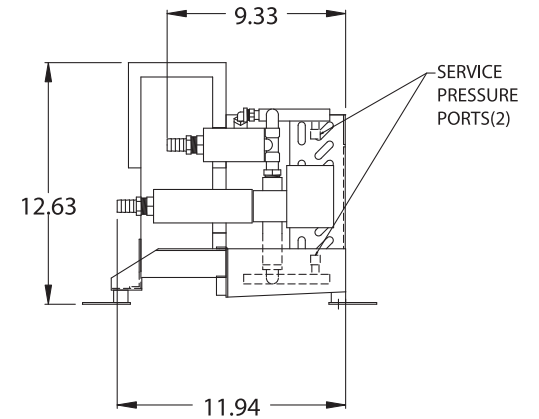
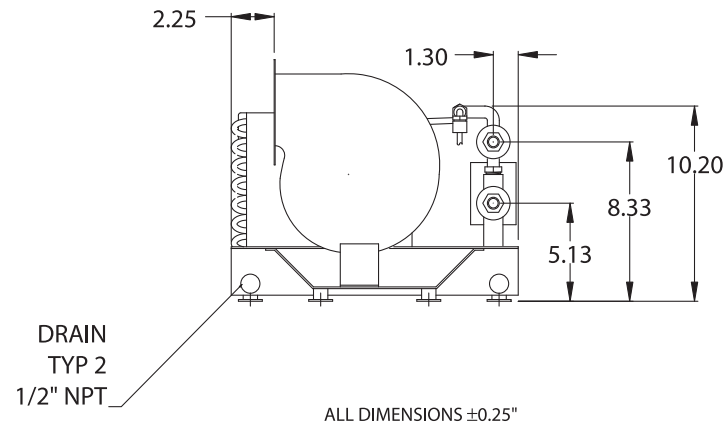
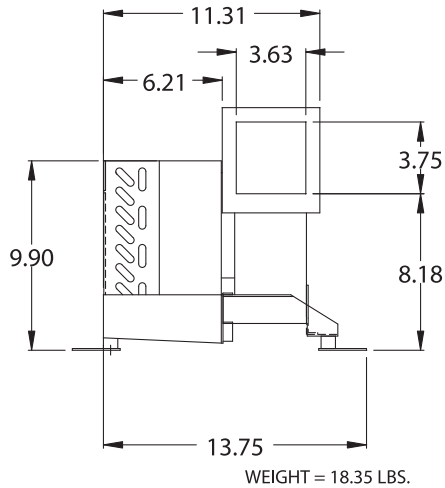


UNIT SHOWN WITH
BLOWER ROTATED 90°

MOUNTING FEET (4) CAN BE
ROTATED TO THE ALTERNATE
POSITIONS SHOWN.



DWG CREATED BY CAD481-04

REV	DATE	REVISION DESCRIPTION	DWG	APR	Dometic Corporation					
A	8/17/04	ADDED PRELIMINARY NOTE, TITLE WAS AT6HVZ, CAD571-04	DRR	JES	AT6HV AIR HANDLER					
B	1/27/05	REMOVED MARINE AIR AND PRELIMINARY NOTE, CAD082-05	DRR	JES						
					DATE: 8/5/04	DWG BY: DRR	PART NUMBER:	DWG	H3020098	REV B
					SCALE: 1:8	APR BY: JES	TBD			