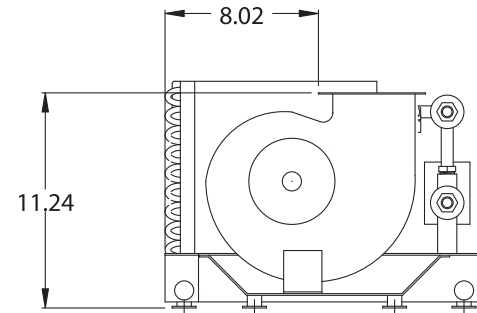
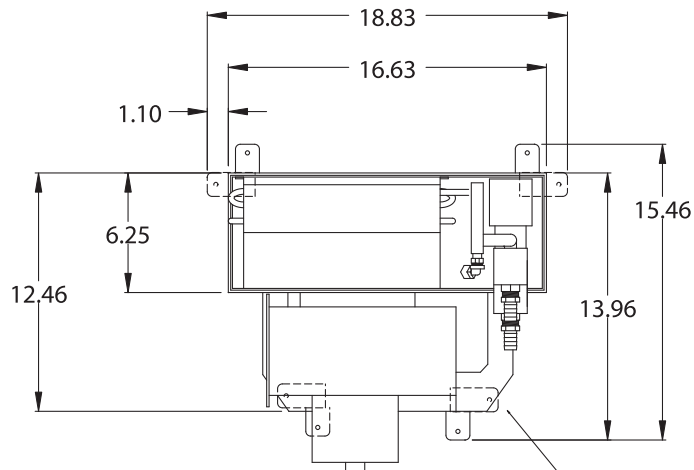
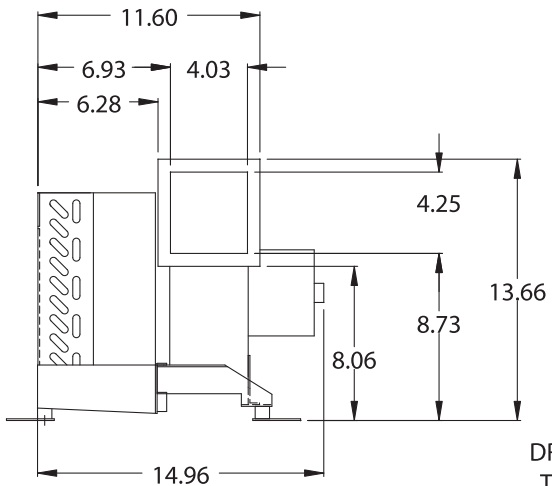


REMOTE ELEC. BOX
W/6' HARNESS

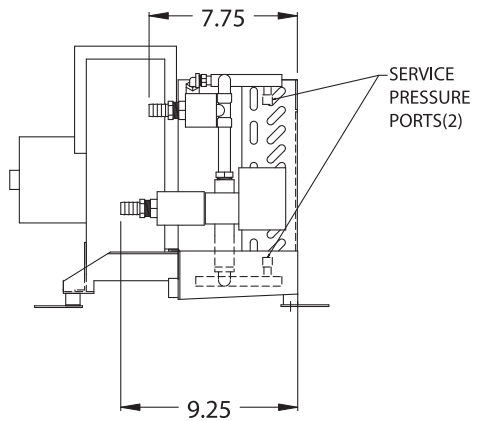
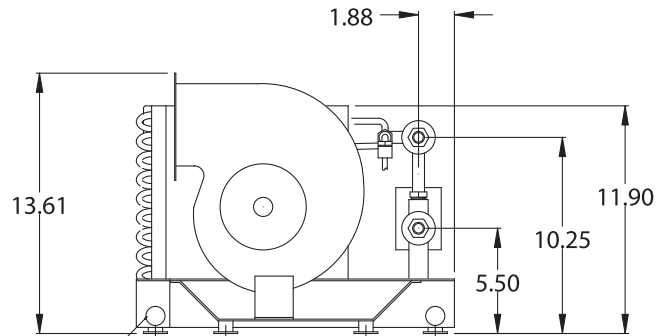


UNIT SHOWN WITH
BLOWER ROTATED 90°

MOUNTING FEET (4) CAN BE
ROTATED TO THE ALTERNATE
POSITIONS SHOWN.



DRAIN
TYP 2
1/2" NPT



SERVICE
PRESSURE
PORTS(2)

WEIGHT = 25.7 LBS.

ALL DIMENSIONS ±0.25"

DWG CREATED BY CAD438-04

REV	DATE	REVISION DESCRIPTION	DWG	APR
A	8/17/04	ADDED BLOWER HEIGHT IN ROTATED VIEW,CAD573-04	DRR	JES
B	1/27/05	REMOVED MARINE AIR & PRELIMINARY NOTE,CAD082-05	DRR	JES
C	2/11/05	REVISED HEIGHT DIMENSION,CAD107-05	DRR	JES

Dometic Corporation

**AT9F
AIR HANDLER**

DATE: 8/13/04	DWG BY: DRR	PART NUMBER: TBD	DWG	H3020100	REV C
SCALE: 1:8	APR BY: JES				