



Eskimo Ice Crushed Ice System Installation & Operation Manual

**FOR MODEL EI540D
USING DIGITAL CONTROLS (WITH C-19 SOFTWARE)**



EI540D



Digital Display



Optional Remote Display

Dometic Group Marine Division
Rev. 20120123
L-3040 English

COPYRIGHT © 2008-2012 Dometic Group Marine Division. All Rights Reserved.

No part of this publication may be reproduced, translated, stored in a retrieval system, or transmitted in any form or by any means electronic, mechanical, photocopying, recording or otherwise without prior written consent by Dometic Marine. Every precaution has been taken in the preparation of this manual to insure its accuracy. However, Dometic Marine assumes no responsibility for errors and omission. Neither is any liability assumed for damages resulting from the use of this product and information contained herein.

Table of Contents

INTRODUCTION	1	PROGRAMMABLE PARAMETERS FOR SOFTWARE	16
WARNINGS AND NOTICES	1	PROGRAM PARAMETER DESCRIPTIONS	16
ICE MAKING AND REFRIGERATION BASICS	2	PROGRAM PARAMETER DEFAULT SETTINGS	16
How Ice Is Made	2	STARTING THE SYSTEM	17
The Refrigeration Process	2	START-UP CHECK LIST	17
THE EFFECT OF TEMPERATURE ON ICE PRODUCTION	3	START-UP PROCEDURE	17
Water Temperatures	3	SYSTEM SHUTDOWN	17
Air Temperature	3	TEMPORARY SHUTDOWN	17
COMPONENTS OF THE ICE MAKER	4	SUSTAINED SHUTDOWN	17
Ice-Making Unit	4	SYSTEM RESTART/RESET	17
Control Box	4	SERVICING THE SYSTEM	18
Ice-Storage Box	4	REFRIGERANT	18
Seawater System	4	R-404A TOOLS	18
Freshwater Supply	4	THERMAL EXPANSION VALVE (TXV)	18
Refrigerant Charge	4	RECHARGING THE SYSTEM	18
Thermal Expansion Valve (TXV)	4	System Shutdown	18
INSTALLATION PROCEDURES	5	Evacuate Refrigerant	18
CHOOSING THE CORRECT EQUIPMENT VOLTAGE	5	Charging the System	18
INSTALLING THE UNIT	5	OWNER MAINTENANCE	19
Selecting the Site	5	SEAWATER SYSTEM	19
Mounting the Unit	5	FRESH WATER FILTER AND Y STRAINER	19
Installing Condensate Drainage	5	EVAPORATOR CLEANING	19
Installing Ice-Delivery Hose	6	AUGER MOTOR AND GEARBOX	19
Installing the Ice-Level Sensor	7	COMPRESSOR	19
Installing the Feedwater System	7	REFRIGERANT GAS	20
Installing the Seawater Cooling System	8	WATER RESERVOIR	20
Installing the Remote Digital Display	11	FEEDWATER FILTER AND Y STRAINER	20
OPERATION	12	WINTERIZING THE SYSTEM	20
THE DIGITAL CONTROL	12	TROUBLESHOOTING GUIDE	20
BASIC FUNCTIONS	13	TECHNICAL ASSISTANCE	21
Applying Power	13	DIAGRAMS	22
On/Off	13	SYSTEM CONNECTION	22
Ice Bin Sensor	13	ELECTRICAL WIRING FOR 115V 60 Hz MODELS	23
Operational LEDs	13	ELECTRICAL WIRING FOR 230V 60 Hz MODELS & 220V 50 Hz MODELS	24
Operational Information	13	OWNERS LIMITED WARRANTY	25
Fault History	13	SECTION I - WHAT'S COVERED	25
FAULTS - EVENTS THAT INTERRUPT ICE PRODUCTION	13	SECTION II - WHAT'S NOT COVERED	25
FULL – Ice Bin Full	13	SECTION III - COVERAGE PERIOD	26
H2O – Potable Water Switch	13	SECTION IV - GETTING SERVICE	26
HPF – High Pressure Refrigerant	13	TABLE OF WARRANTY PERIODS	27
LAC – Low AC line voltage	14		
LPF – Low Pressure Refrigerant	14		
OCA – Over Current Auger and Ice Delivery Problem	14		
OCC – Overload Current Compressor	14		
SPT – Auger Spout Blockage	14		
UCA – Under Current Auger	14		
UCC – Under Current Compressor	14		
THE CYCLE OF OPERATION	15		

INTRODUCTION

This manual provides installation and operation information for the EI540D self-contained Eskimo Ice System using digital controls (software level C-19).

The ice produced by this system is not potable and should not be ingested. Do not eat, chew, suck, swallow, or put the ice into drinks. The ice produced by this system is intended solely for the refrigeration purposes of freshly caught fish stored in a fish box.

WARNINGS AND NOTICES

**DANGER**

This equipment is not ignition protected per CFR 183.410 and may not be installed in areas that may be exposed to flammable gas.

**DANGER**

The equipment referenced in this manual operates on 115 or 230 volts AC. Such voltages can be lethal, therefore proper care must be taking during installation, operation, and servicing to prevent injury or loss of life.

**DANGER**

The equipment referenced in this manual operates with compressed refrigerant at high pressures. Proper care must be taken during installation, operation, and servicing to prevent injury or loss of life due to improper procedures.

**WARNING**

Never install the unit in the bow of a boat. It must be installed on the transom, in the aft, or in a machinery space that does not require ignition protection that is as far aft of midship as possible.

**WARNING**

This manual contains essential safety information concerning the safe and proper installation, operation, and maintenance of your ice making system. It is very important that you read and understand the contents of this manual thoroughly before installing or using the equipment. You should keep this manual on your boat for future reference. Failure to follow Dometic approved installation, start-up, operation, and troubleshooting procedures will void the warranty. If there are any statements in this manual that you do not understand, contact your local dealer for assistance or the Dometic Marine Service Department:

- Phone: +1 954-973-2477 (Monday through Friday, 8AM - 5PM US Eastern Time)
- Phone: +1 888-440-4494 (Evenings and weekends US Eastern Time)
- Fax: +1 954-979-4414
- Email: sales@dometicus.com
- Dealer Locator: www.dometic.com/marinedealers

**WARNING**

The ice produced by this system is not potable and should not be ingested. Do not eat, chew, suck, swallow, or put the ice into drinks. The ice produced by this system is intended solely for the refrigeration purposes of freshly caught fish stored in a fish box.

**NOTICE**

Some equipment may be shipped with specific installation sheets or wiring diagrams that may supersede the information located in this manual. Dometic reserves the right to update or change any information located herein at any time and without prior notice.

**NOTICE**

Your ice-making system uses the environmentally safe refrigerant R-404A. Federal law forbids the intentional release of any refrigerant gas into the environment. Make certain that any field service is performed by a specialist with the proper equipment to prevent loss of refrigerant during servicing.

ICE MAKING AND REFRIGERATION BASICS

HOW ICE IS MADE

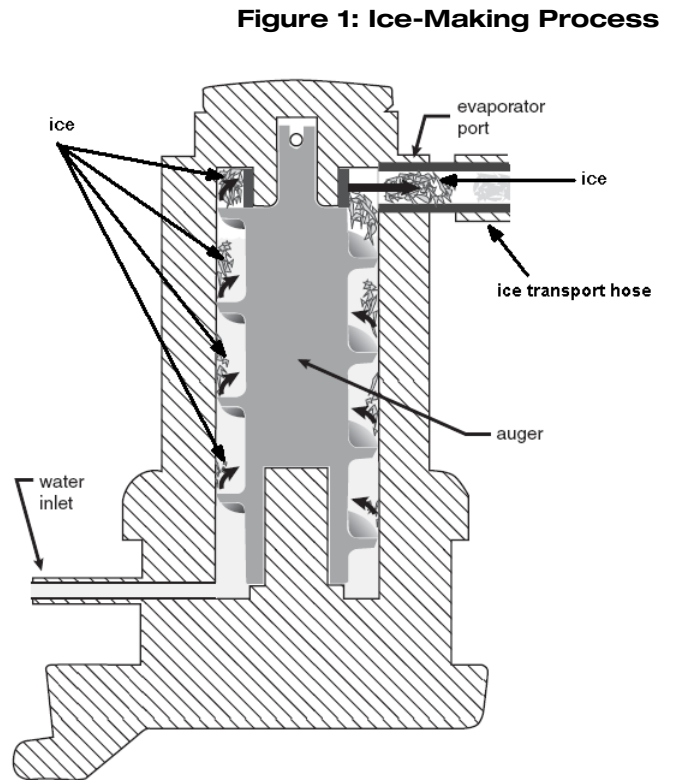
Fresh water is applied to the interior wall of the evaporator shell. Using a refrigeration process, heat is removed from the fresh water in order to freeze it.

As the water freezes onto the wall of the evaporator shell, the auger scrapes it off and into a discharge port. The ice shavings are then compressed and pushed into the ice transport tube which runs to the ice-collection box. See Figure 1.

THE REFRIGERATION PROCESS

The basic principle of an ice machine system is that a liquid refrigerant absorbs heat as it turns into a gaseous state (evaporates) and releases heat as it turns back into a liquid state (condenses). The system consists of five main components:

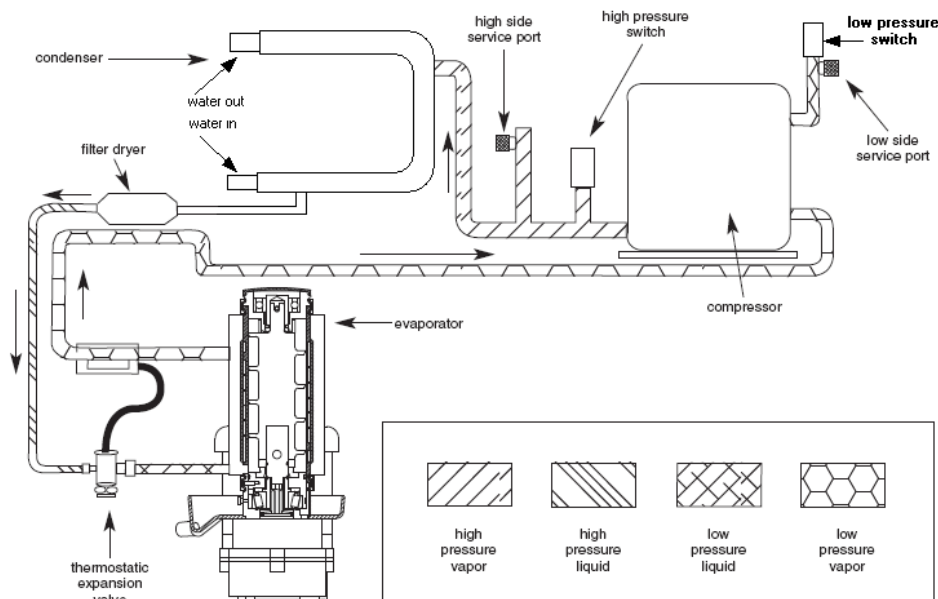
- **Evaporator** - Absorbs heat from the fresh water in the evaporator shell causing the fresh water to freeze.
- **Auger** - Scrapes the frozen fresh water from the interior sides of the evaporator shell and extrudes it into the discharge hose.
- **Condenser** - Releases heat into the system's circulating seawater and turns the refrigerant gas back into a liquid.
- **Compressor** - Drives the refrigerant through the loop.
- **Metering Device** - Meters the flow of refrigerant to the evaporator.



The ice maker's refrigerant compound has a very low boiling point. It flows in a closed loop between an evaporator and a condenser, alternately absorbing and releasing heat. This process removes the heat from the fresh water in the evaporator/auger assembly and causes the fresh water to freeze on the inside of the evaporator wall. The heat absorbed by the refrigerant is transferred to the seawater.

A water pump circulates seawater through the inner tube in the condenser coil which cools the refrigerant in the outer tube and condenses it from a gas into a liquid. The heat from the refrigerant is exchanged to the seawater and discharged overboard. The liquid refrigerant is then pumped through the evaporator coil and the cycle repeats. See Figure 2.

Figure 2: Refrigeration System Diagram



THE EFFECT OF TEMPERATURE ON ICE PRODUCTION

WATER TEMPERATURES

Seawater and freshwater temperatures affect the ice machine's efficiency and capacity. The system is most efficient when the seawater and fresh water temperatures are 55-80°F (13-27°C). The ideal temperature for both is 70°F (21.1°C). See Figure 3.

High Temperatures - As water temperatures approach 90°F (32°C) and above, the water's ability to absorb heat diminishes, so the capacity of the system decreases. Also, when seawater temperature increases above 90°F (32°C), the system could sustain a high-pressure shutdown to protect the compressor.

Low Temperatures - As water temperatures approach 45°F (7.2°C) and below, the water's ability to provide heat exchange diminishes, so the capacity of the system decreases. Also, as the water temperature decreases, the system could sustain a low-pressure shutdown to protect the compressor.



CAUTION

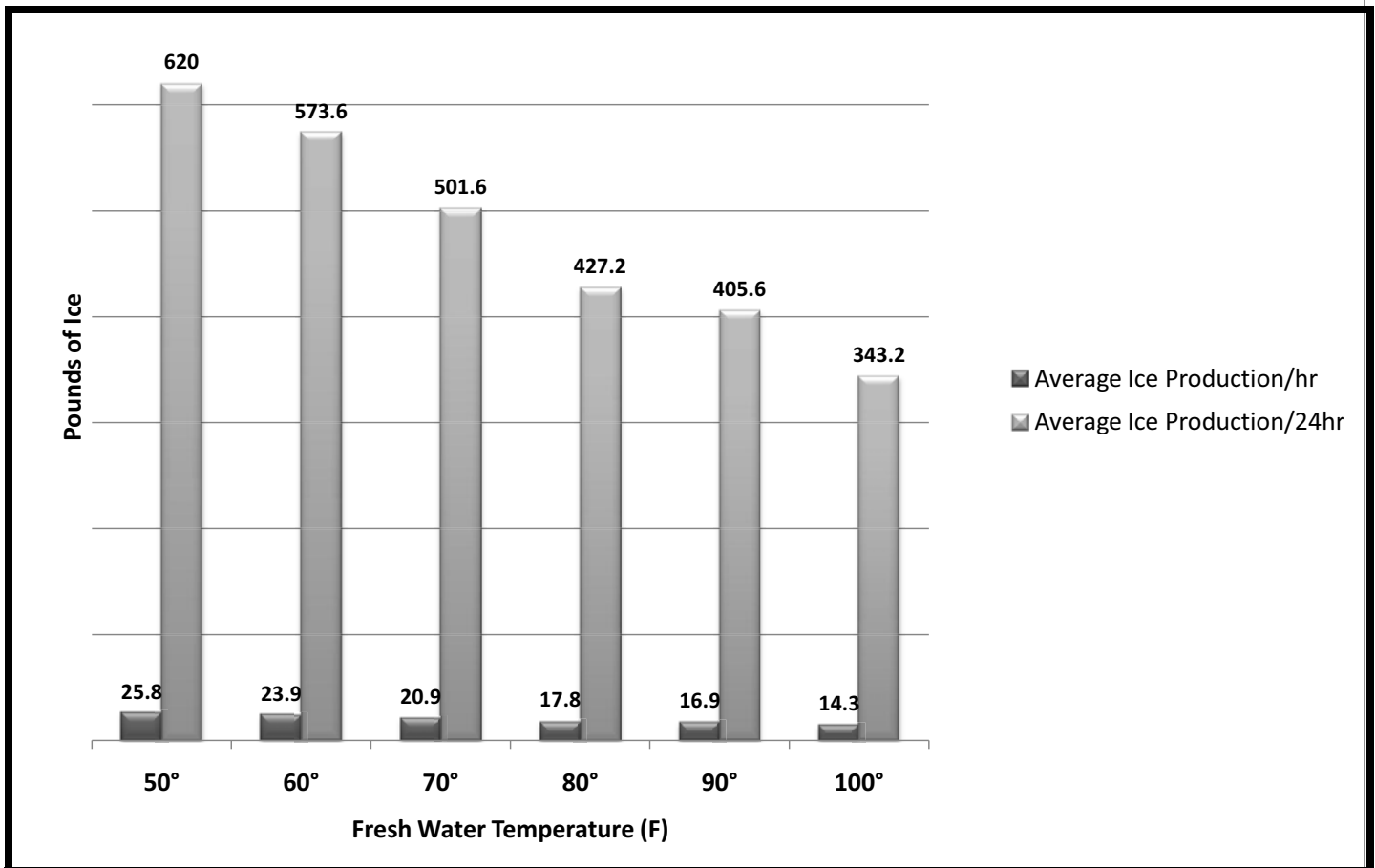
Extreme care should be taken in operating any unit below seawater temperatures of 45°F (7.2°C). The seawater could freeze in the condenser tubing, possibly causing it to burst, which is not covered by the warranty.

AIR TEMPERATURE

The Effect of Ambient Air Temperature

The ambient air temperature affects the ice machine's efficiency and capacity, but not as significantly as the water temperatures. The system is most efficient when the ambient air temperature is 55-80°F (13-27°C). At temperatures above and below this range, ice production will decrease. See Figure 3.

Figure 3: Ice Production and Temperature Graph



COMPONENTS OF THE ICE MAKER

ICE-MAKING UNIT

The ice-making unit has an R-404A compressor, seawater-cooled condenser, a filter/drier, and an accumulator. The auger assembly contains the evaporator barrel, auger rotor, gearbox, motor, water reservoir, and expansion device.

The freshwater delivered to it is converted to ice which exits the system via an ice-delivery hose routed properly to a storage box up to 35 feet (10.6m) away. See Figure 4 on page 6.

The unit is pre-charged with refrigerant from the factory. The unit has plug-and-play electrical connections for the ice-level sensor and the optional remote display.

CONTROL BOX

The ice-making unit has an electrical control box with digital display that can be mounted on the unit or remotely mounted up to 7' (2.1m) away.

The control box (Figure 11, page 12) contains the system function switches, digital display, and system indicator lights. It lets you control all system operations and provides visual indications of system activity, such as whether the system is running or has a fault. If a fault condition is detected, the system shuts down automatically. The control panel lets you restart the system after a sustained fault. See the "The Digital Control" on page 12 for further operating instructions.

ICE-STORAGE BOX

The ice-storage box is the destination point where the ice will accumulate via the ice-delivery hose. An ice-level sensor installed in the storage box halts ice production when the box is full.

The ice-storage box should be able to hold water and have at least 2" (51mm) of insulation to keep the ice frozen as long as possible. It is helpful to install a drain in the box at the end opposite from the ice input. To improve ice-production performance, keep the drain plugged to prevent cold air and cold water from escaping the storage box.

SEAWATER SYSTEM

Seawater is pumped into the ice-making unit to efficiently cool the hot refrigerant via a cupronickel coaxial tube design. The condensing unit may be connected to its own single-station pump or to a larger, multi-station pump via a pump relay box.

The seawater system (Figure 7, page 9) consists of a thru-hull fitting, seacock, strainer, seawater pump, seawater hose, and overboard discharge. There must be water flow of at least 2 GPM / 7.6 LPM (maximum 3.5 GPM / 13.2 LPM) or coil erosion can occur.

FRESHWATER SUPPLY

Use the 1/4" SAE male flare fitting on the auger unit to supply freshwater for ice making. Provide water with pressure of at least 15 PSI. An in-line water filter (included in kit) is **mandatory** to comply with Dometic Warranty Regulations, to help prevent clogging of the needle valve in the water reservoir, and to help keep the auger walls from fouling with mineral deposits which will cause premature failure of water seals and bearings. See "Fresh Water Filter and Y Strainer" on page 19 for maintenance instructions.

REFRIGERANT CHARGE

The unit is pre-charged with the correct amount of R-404A refrigerant. If service is required, see data plate for correct charge amount.

THERMAL EXPANSION VALVE (TXV)

The TXV is used as the expansion valve of the refrigerant system. It allows high-pressure liquid to become low-pressure liquid and start the refrigeration process. The simple and reliable TXV provides a load-modulated system pressure over a wide range of ambient and seawater temperatures. The TXV is **not** adjustable.

INSTALLATION PROCEDURES

This section covers the installation procedures for your ice-making system. **Read the manual completely before attempting to install any equipment.**

CHOOSING THE CORRECT EQUIPMENT VOLTAGE

Know the frequency and voltage provided where your ice-making system will be used and select the appropriate 60 Hz or 50 Hz model. **Do not operate a 60Hz unit on 50Hz power or a 50Hz unit on 60Hz power, as this will cause damage and void the warranty.**

The voltage rating of a unit is a nominal rating. The voltage in a given location may be higher or lower by as much as 10% and the system will still operate correctly. For example, in a 60 Hz environment you may see 110 VAC to 120 VAC, or 208 VAC to 240 VAC. In a 50 Hz environment common voltages range from 220 VAC to 240 VAC.

INSTALLING THE UNIT

SELECTING THE SITE

Never install the unit in the bow of the boat. Dometic ice-making units are designed to be installed in any convenient location on the transom, in the aft, or in a machinery space that does not require ignition protection that is as far aft of midship as possible. The unit can be located in living areas if necessary. Some considerations:

- **This equipment is not ignition protected per CFR 183.410 and may not be installed in areas that may be exposed to flammable gas.**
- The unit will produce condensation, so the drip pan is necessary.
- The unit is water cooled and does not need direct ventilation, but do not install in a sealed space.
- The space around the unit may be insulated to reduce noise if necessary.

Site Location Check List

- Location is aft of midship. **Never install the unit in the bow of the boat.**
- Location is not exposed to flammable gas.
- Location provides adequate space for access to refrigerant, seawater, and electrical connections.
- Location provides accessibility for service and maintenance.
- Location is away from direct spray, from engine air intakes, and from water washdown.
- Mounting space is a flat, horizontal surface.

MOUNTING THE UNIT

1. Do not remove any covers, caps, or fittings that may expose any wiring or refrigerant until you are ready for those steps of the installation.
2. On a flat, horizontal surface, orient the unit so the refrigerant, seawater, and electrical connections are accessible and use the 4 provided hold-down clips to secure it.
3. If you decide to remotely mount the control box, be sure it is away from direct spray, from engine air intakes, and from water washdown.
4. If pump wires need to be extended by butt connections, make sure they are tightly crimped and heat shrunk.
5. AC power source must be installed and grounded/bonded in accordance with ABYC standards.
6. Connect control wires to terminal strip with ring terminals.

INSTALLING CONDENSATE DRAINAGE

The condensate drain pan is 2.0" (51mm) high with one drain location. During conditions of high humidity, condensate may be produced at a rate of approximately one-half gallon (1.9 liter) per hour. With this in mind, it is important to route condensate drains downward to a sump pump. It is not recommended to route condensate drains to the bilge.

After the condensate drain installation is complete, test the installation by pouring one quart (liter) of water into the pan and checking for good flow.

INSTALLING ICE-DELIVERY HOSE

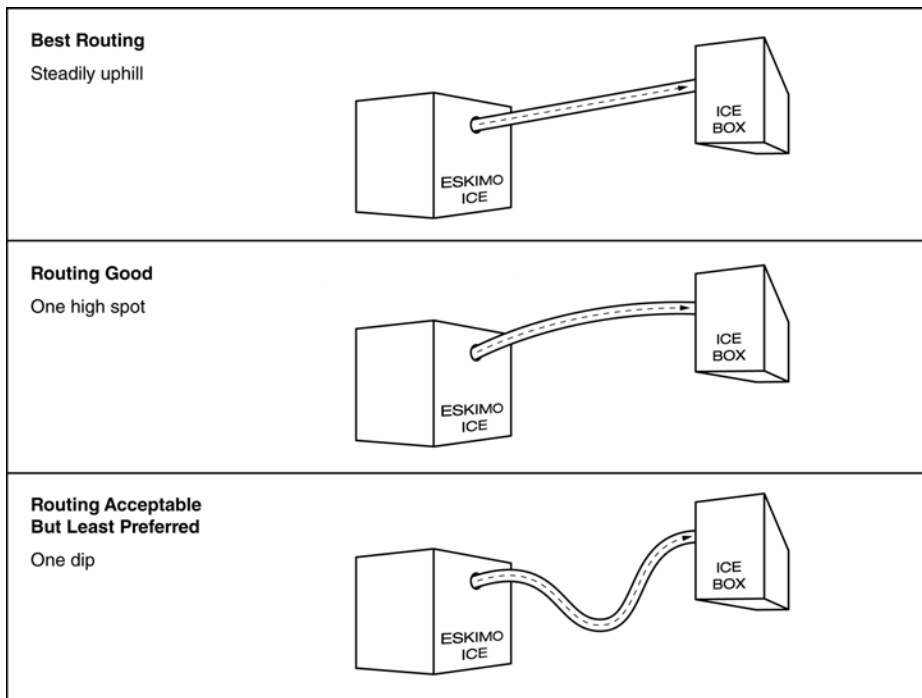
Planning the Route

The maximum length of the ice-delivery hose is 35 feet (10.6 m) under ideal conditions.

The best hose routing provides a level but slightly upward rise from the ice maker to the ice-storage box, with very few bends. No bend should be tighter than a radius of 18" (458mm). Refer to Figure 4 below to see:

- **Best Routing** - A continuous uphill route of travel from the ice maker.
- **Good Routing** - A continuous route of travel from the ice maker, with only one high spot.
- **Acceptable Routing** - A route of travel from the ice maker which includes one low spot and two high spots.

Figure 4: Routing of Ice-Delivery Hose

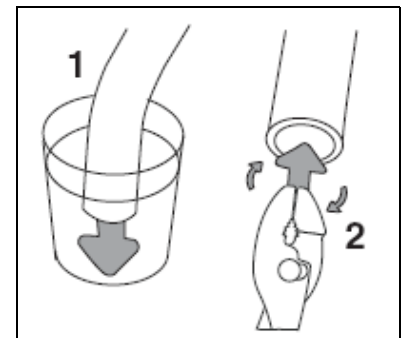


Mount the ice-delivery hose as high as possible in the ice-storage box.

Procedure

1. **The hose delivery location should be as high as possible** in the ice-storage box and facilitate the best hose route from the auger (as described above and shown in Figure 4).
2. Install the proper thru-hull in the ice-storage box using the supplied fitting. The thru-hull must be large enough for the 3/4" (19.1mm) ice-delivery hose.
3. Insulate the full length of hose with 1-1/8" ID, 3/4" thick wall insul-tube, minimum.
4. Double clamp thru-hull end so the hose will not get pulled out. In addition, PVC glue may also be used at the thru-hull end.
5. In order to fit over the auger spout, the hose end must be heated with in hot water (160°F / 71°C) or with a heat gun to soften then stretched by inserting and rotating pliers inside the tube. See Figure 5, page 6.
6. **Secure hose end with constant torque hose clamp to auger spout.**
7. Securely strap hose to bulkhead every 12" (30.5cm), keeping in mind that the hose will be much heavier once filled with ice. Be careful not to kink, flatten, oval or crush hose, because any obstructions will prevent free flow of ice.

Figure 5: Heat & Stretch Auger End of Hose

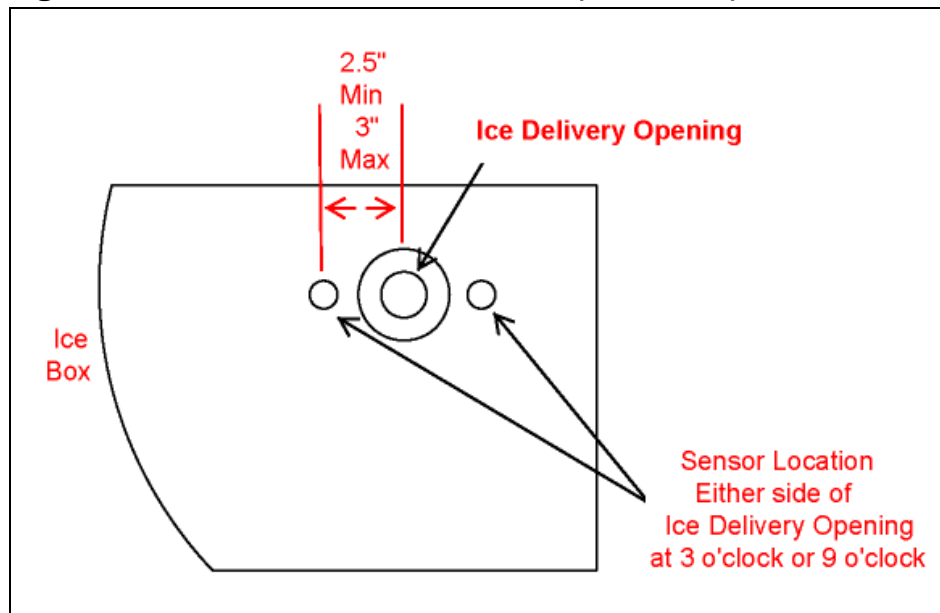


INSTALLING THE ICE-LEVEL SENSOR

To prevent overflow, this sensor stops ice production when the ice in the storage box reaches the level of the sensor. Use Figure 6 below to determine placement for the ice-level sensor at the storage box location.

1. The sensor must be located 2.5" (64mm) minimum to 3" (76mm) maximum to the left or right side of the ice-delivery hole. Drill a 23/32" (19mm) hole for sensor.
2. Use the 2 lock nuts provided to secure sensor into the hole.
3. Use marine-grade sealant around the hole if desired. (Remember that the unit may have to be removed at some time.)
4. Route the cable to the ice maker's electrical box and plug the end into the ice-bin sensor socket. See the appropriate electrical wiring diagram in this manual for the voltage model you are using.

Figure 6: Location of Ice-Level Sensor (front view)



INSTALLING THE FEEDWATER SYSTEM

Feedwater for the unit should be fresh water supplied by the boat's potable water system. The water reservoir has a float switch to ensure the unit does not operate without a water supply.

Requirements

- Supplied feedwater must have a pressure of at least 15 PSI.
- The water system must be able to supply at least 4 GPH when the ice maker is operating.
- Install the in-line filter (supplied in kit) just prior to the unit to remove sediment which may clog the needle valve in the water reservoir.
- Dometic recommends installing a shut-off valve in the feedwater line between the source and the filter to facilitate filter changes.



WARNING

Use of saltwater as feedwater will damage auger components and evaporator barrel and will void the warranty.



WARNING

Failure to install and use the water filter included with the installation kit will void the warranty. Note, if unit is purchased separately you must also purchase the water filter to maintain warranty.

Procedure

1. Run copper tubing or equivalent from the freshwater source to the in-line water filter.
2. Run copper tubing or equivalent from the water filter to the water input, and connect with the supplied 1/4" SAE male flare connection on the unit.

3. Ensure there are no leaks in the field-installed portion of the system.

Water Quality and Filters

No water from a municipality is “pure” feedwater, but water from a vessel's onboard water maker comes close. The feedwater problem is that water contains suspended and dissolved feedwater solids. Pure water freezes first, leaving the feedwater solids to increase in concentration in the unfrozen feedwater. Solids also bond to the evaporator wall during feedwater freezing, forming scale. Eventually, built-up scale will shorten machine life.

A Dometic-supplied filter for use with ice makers must always be used, otherwise the warranty will be void. Replace the filter at least twice yearly, or more often if the machine is used frequently. While filters help clean the water, a 6-month cleaning of the evaporator barrel is required. See “Evaporator Cleaning” on page 19 of the “OWNER MAINTENANCE” section.

Using *saltwater* to make ice is **not** approved by Dometic. Saltwater is very corrosive, and it contains many more dissolved and suspended solids than freshwater. If you want a brine solution for your catch, we suggest sprinkling salt over the ice in the storage box. **USE OF SALTWATER AS FEEDWATER IN ANY DOMETIC ICE MAKER WILL CAUSE SEVERE DAMAGE AND VOID THE WARRANTY!**

INSTALLING THE SEAWATER COOLING SYSTEM

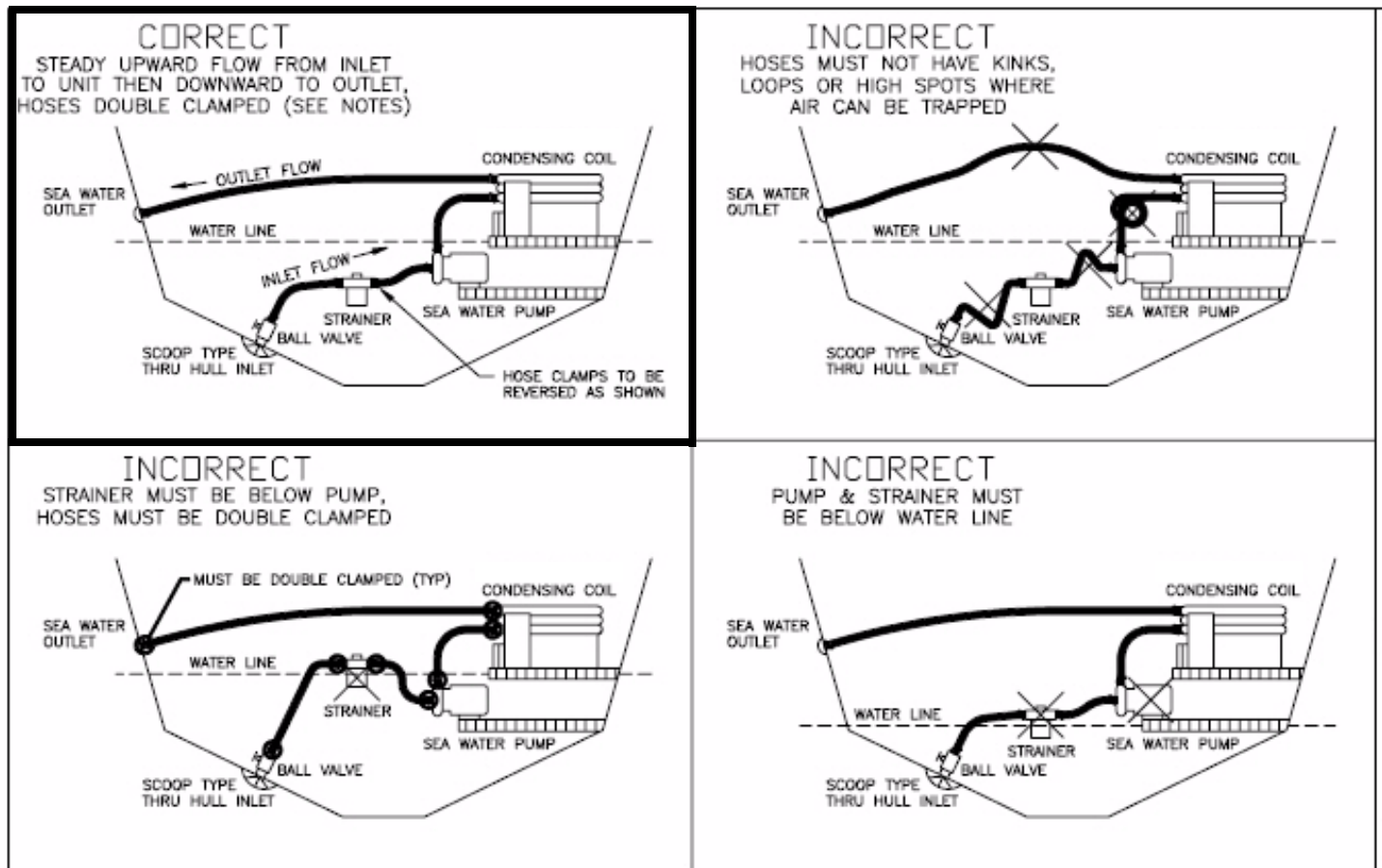
Self-Draining System

A poorly plumbed seawater system is the most common installation problem. When water flow is lost, not only will the ice maker cease to produce ice, but the pump could be damaged from running without water flow.

When using a centrifugal seawater pump, it is imperative that the seawater piping be routed continually uphill from the thru-hull to the condenser, then smoothly up or down to the overboard discharge without any dips or loops, and with only one high point in the system. This type of routing is called self-draining because all water will drain out of the piping if the boat is taken out of the water.

If air gets into the system, which can happen in heavy seas or with a sharp turn, it can become trapped in the pump. Because centrifugal pumps cannot pump air, water flow is lost. A self-draining system, however, allows air in the piping to rise naturally through the pump and be expelled. It also makes winterizing the system much easier. Figure 7, page 9 shows a properly plumbed system and some common mistakes.

Figure 7: Seawater Piping Recommendations

**NOTES:**

- 1) THRU HULL INLET, BALL VALVE, HOSE AND STRAINER SHOULD BE SIZED NO SMALLER THAN PUMP INLET.
- 2) INSTALL THRU HULL FITTING AS FAR BELOW THE WATER LINE AS POSSIBLE.
- 3) PUMP NEEDS DEDICATED THRU HULL NOT SHARED WITH OTHER PUMPS.
- 4) AVOID OR MINIMIZE 90° ELBOW FITTINGS AS MUCH AS POSSIBLE, ROTATE PUMP HEAD TOWARDS DIRECTION OF WATER FLOW.

Thru-Hull Inlet Fitting

A separate thru-hull fitting must be installed for each seawater pump. Do not attempt to draw water from the thru-hull fitting of an engine, generator, or other device.

Install a scoop-type thru-hull fitting:

1. Drill a properly sized hole for the thru-hull fitting as far below the water line and as close to the keel as possible.
2. Make sure the scoop of the thru-hull fitting faces the bow.
3. Bed the scoop with marine sealant designed for underwater use, and tighten the nut onto the thru-hull to secure it.

Seacock

The seacock must be accessible and easy to close in case of emergency or to clean the strainer.

1. Install a full-flow seacock directly onto the thru-hull fitting.
2. Use Teflon tape or equivalent to seal the threads.

Seawater Piping

- Only use reinforced marine-grade hose or other suitable piping (PVC, CPVC, cupronickel, or stainless steel).
- Double clamp all hose connections.
- Use only plastic, bronze, or stainless steel fittings (do not use brass).
- Avoid loops or dips in all hose runs.
- Make sure enough hose is used to allow for future removal of components.

- Use the correct size hose, fittings, and components: 5/8" seawater hose, 3/4" inlet. Note that the pump inlet piping (including thru-hull and strainer) may need to be larger than the outlet pipe size. Do not use pump connections to determine hose size.
- The "pump inlet" recommended pipe size includes all fittings and hose up to the pump connection (thru-hull, seacock, strainer, hose, manifold). The "pump discharge" recommended pipe size includes all fittings and hose from the pump discharge up to the overboard discharge, and should be a minimum of 5/8".

Strainer

A seawater strainer must be installed between the seacock and the pump, and should be situated to provide easy access for cleaning. The strainer must be located vertically above the seacock and below the pump so any air that gets into the strainer can get out.

1. Mount the strainer to a bulkhead so it is properly supported before connecting hoses.
2. Make sure the water flow through the strainer is in the correct direction. Some strainers have an arrow that shows correct flow direction.
3. Run appropriate seawater piping from the seacock to the strainer, and use Teflon tape or equivalent on pipe threads.

Seawater Pump

Required Flow Rate

The Dometic EI540D ice maker requires at least 2 GPM / 7.6 LPM (or 120 GPH / 454.2 LPH) up to a maximum of 3.5 GPM / 13.2 LPM (or 210 GPH / 792 LPH) of seawater flow for rated performance.

Centrifugal Pumps

Centrifugal pumps are not self-priming, and must be mounted so they are below the heeled waterline in any given operating condition. The pump should be accessible for future service.

1. Mount the pump so the outlet is directed upward. If you are using the Dometic pump, other mounting orientations are acceptable as shown in Figure 8, and the head on these pumps can be rotated to allow mounting on a vertical bulkhead.
2. Run appropriate seawater piping from the strainer to the pump, and use Teflon tape or equivalent on pipe threads.

Self-Priming Pumps

Self-priming pumps are available if a centrifugal pump cannot be mounted below the waterline.

Manifolds

If a pump serves multiple units, a seawater manifold is needed to supply water to all units. This can be as simple as a tee for two units, or a custom manifold for seven to eight units.

It is very important to consider manifold orientation so that all units get their required flow. See Figure 9 on page 11 for proper orientation tips. Verify the manifold still provides the required flow rate for the ice maker.

A manifold can also be used on the outlets of multiple ice makers when using a single overboard discharge.

Figure 8: Dometic Pump Head Orientation

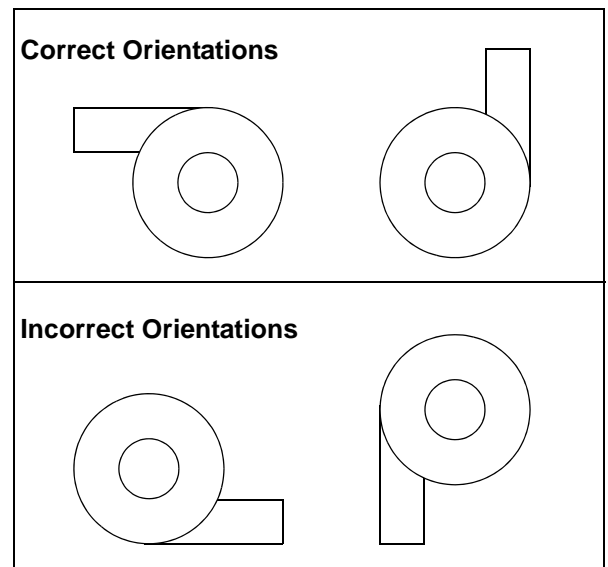


Figure 9: Seawater Manifold Orientation**Pump Relay**

The pump relay (if needed) is generally located in the engine room or mechanical space near the seawater pump, but can be mounted anywhere that is convenient and accessible. It must be in a dry location, away from water spray, with some room for heat dissipation.

Choose your pump relay based on the number of units that will operate off one pump. Choose each trigger to reflect the voltage of the unit it serves. The polarity of the signal from the unit does not matter to the trigger, but the voltage is very important.

Connection to Ice Maker

Connect a hose from water discharge of pump to water inlet on the condensing coil.

Overboard Discharge

Connect a hose from the water outlet of the condensing coil to the overboard discharge. The overboard discharge should be located 1" to 2" (25-50mm) above the waterline. This facilitates visual confirmation of water flow and also keeps it close to the waterline to minimize splashing.

If the overboard discharge is located below the waterline a valve must be installed per ABYC guidelines.

Note: In some applications a Sea Chest might impede water flow depending on the water volume other devices discharge into the common overboard. Proper water flow must be confirmed to ensure proper operation of ice maker if a Sea Chest is used.

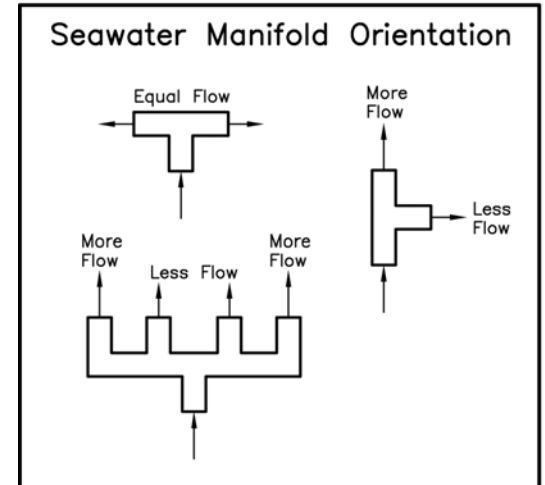
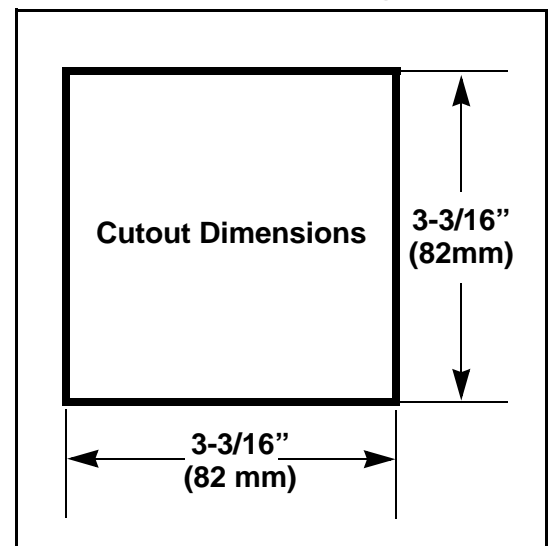
Bonding

Bond all metallic parts (thru-hull, valves, strainer, manifolds, etc.) that are in contact with seawater to the vessel's bonding system in accordance with ABYC standards. Items should only be bonded or grounded once. If an item is in contact with an electrically grounded part (pump, seawater condenser) then it should not be bonded again.

INSTALLING THE REMOTE DIGITAL DISPLAY

For easier operation accessibility, an optional remote digital display may be installed wherever desired, however, it can not be exposed to saltwater spray. The remote display requires a cable that must be ordered separately, and is available in lengths up to 100' (30.5m).

1. Find a convenient location that is protected from saltwater spray.
2. Cut out a square hole that is 3-3/16" x 3-3/16" (82 x 82 mm). See Figure 10 to prepare the mounting space.
3. Route the display's cable to control box and plug into the mating 8-pin male RJ45 connector.
4. Mount the remote display into the cutout.
5. If you are relocating the existing display, cover the hole on the back of the box.

**Figure 10: Cutout Dimensions For Digital Display**

Note: Image shown is not to scale.

OPERATION

This section of the manual provides the essential information for safe operation for all Dometic ice makers. If you encounter any operational problems, call your dealer or the Dometic Marine Service Department at 954-973-2477.



WARNING

Failure to install and use the water filter included with the installation kit will void the warranty. Note, if unit is purchased separately you must also purchase the water filter to maintain warranty.

THE DIGITAL CONTROL

The control system is programmed to operate the unit within assigned parameters. It uses sensors, timers, and counters to protect system components from failure due to loss of fresh water, loss of seawater, ice clogs, low refrigerant charge, high pressure, low pressure, or auger-motor start failures.

To prevent overflow, a sensor also controls system operation based on ice level in the ice-storage box. The control panel shows system function and failure mode, if one occurs. See “Faults - Events That Interrupt Ice Production” on page 13 for details.

The digital control display panel is also the user interface for programming system parameters. See “PROGRAMMABLE PARAMETERS FOR SOFTWARE” on page 16 for more information.

If the optional remote digital display panel is installed, the system can be operated from either control location—the display panel by the unit or at the remote location.

See Figure 11 and Table 1 on page 12 to identify all parts of the control.

Figure 11: Control Panel

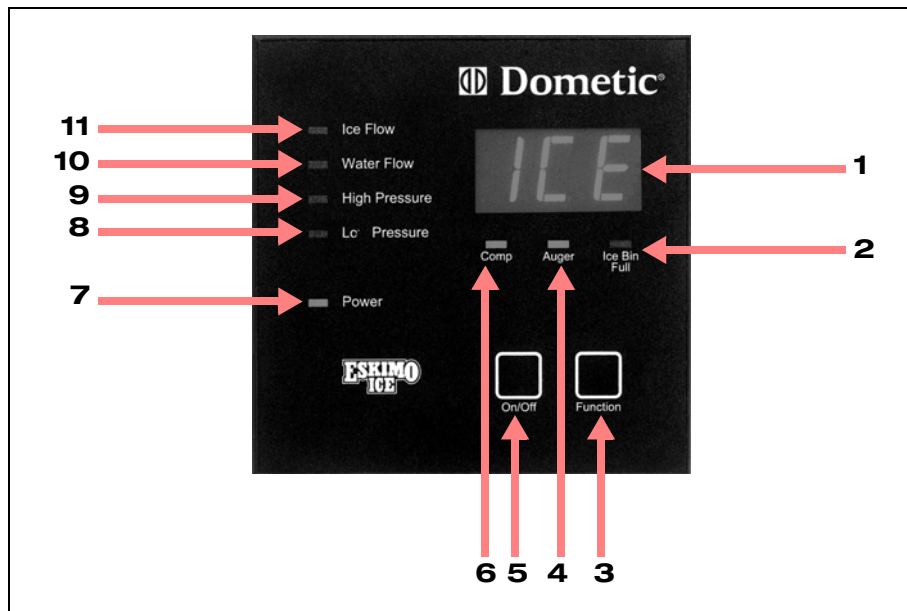


Table 1: Digital Control - Diagram Legend

1	Digital display	7	Power indicator
2	Ice Bin Full indicator	8	Low Pressure fault light
3	Function button	9	High Pressure fault light
4	Auger indicator	10	Water Flow fault light (for freshwater feed)
5	Power button (on/off)	11	<i>Not used on this model</i>
6	Compressor indicator		

BASIC FUNCTIONS

APPLYING POWER

When power is first applied, the display will light all LED's for 2 seconds, then go blank for 1 second, then show software revision for 2 seconds. The unit will then go to the last state it was in before power was disconnected. The power LED will remain lit anytime power is applied.

ON/OFF

Press the On/Off button to toggle between Off and ICE production. dLY will appear in the display and the unit will begin a startup routine. ICE will appear in the display when production begins.

ICE BIN SENSOR

When the ice-storage box is full, the unit will stop ice production and the display will show FULL. If the ice bin sensor is not installed, the unit will not operate and the display will continue to show FULL.

OPERATIONAL LEDs

Ice Flow, Water Flow, High Pressure, and Low Pressure are trouble lights on the display and will light if a fault occurs and a fault code will be displayed. Comp and Auger are status lights and show operation of these systems. FULL is also a status light that is on whenever the ice-storage box is full.

OPERATIONAL INFORMATION

Compressor current, Auger current, and AC voltage can be viewed while the unit is in operation. Simultaneously press and release the On/Off and Function buttons. CA will appear in the display and after 5 seconds, a value indicating the compressor current in amps will show. Press Function to change to AA and auger current in amps will display. Press Function again and AC line voltage will display. Press the On/Off button to exit from this feature.

FAULT HISTORY

History of faults that occur can be viewed from the off setting. Press and hold the On/Off button for 3 seconds. This will enter the fault history log. The display will indicate H 1. Press the function button to scroll through the events recorded in the log. The unit will record up to 16 events. While viewing, the display will alternate between the fault mnemonic and the event number. To exit the history mode, press the On/Off button. The unit will also exit the history log in 30 seconds if no key is pressed. Faults are recorded in the order they occur, most recent to oldest.

FAULTS - EVENTS THAT INTERRUPT ICE PRODUCTION

If trouble occurs during operation the fault codes defined below will be displayed. Trouble LEDs will be lit for **High Pressure**, **Low Pressure**, **Water Flow**, and **Ice Flow**. The unit will restart once the fault is cleared or repaired.

Lockout - Excessive faults will result in the code flashing on the display called a lockout. A lockout may be cleared by pressing the On/Off button to turn the unit off then on again, by pressing the reset switch or pressing the function button.

FULL – ICE BIN FULL

If the ice bin sensor is blocked for more than 15 continuous seconds, the unit will stop ice production and the display will show FULL. If the ice bin sensor is not installed, the unit will not operate and the display will continue to show FULL.

H2O – POTABLE WATER SWITCH

If the potable water switch is open during production for 15 seconds, the display will show H2O fault and the Water Flow LED will light. The auger will continue to run for the duration of the auger delay. Ice production will stop and the switch must be closed for operation to restart. H2O Fault can be caused by lack of fresh water flow, clogged main filter or a clogged Y Strainer.

NOTE



If HPF or H2O appears steady on the display (not flashing) on initial start up, this may be due to an open switch, defective water-level switch, empty reservoir, or clog. This can also occur from an open switch or wiring to the switch.

HPF – HIGH PRESSURE REFRIGERANT

If the High Pressure Refrigerant Switch is open during production for ~500ms, the display will show HPF fault and the High Pressure LED will light. The compressor delay is then activated for restart. The auger will continue to run for the duration of the auger delay. At the end of the compressor delay the unit will show dLY beginning the restart routine. The compressor delay begins from the moment the switch is opened. The maximum number of faults that can occur in 30 minutes is set for three by

default. HPF can be caused by lack of seawater flow due to a dirty strainer, pump being airlocked or seawater lines in need of maintenance.

LAC – LOW AC LINE VOLTAGE

If the line voltage to unit is less than value selected in the programmable parameter for 5 minutes continuously the unit will stop operation. The compressor delay is started and the unit will restart at the end of the delay if the voltage is greater than the value selected in the programmable parameter. Parameter default is set to off.

LPF – LOW PRESSURE REFRIGERANT

If the Low Pressure Refrigerant Switch is open during production for 60 seconds, the display will show LPF fault and the Low Pressure LED will light. The compressor delay is then activated for restart. The auger will continue to run for the duration of the auger delay. At the end of the compressor delay the unit will show dLY beginning the restart routine. This switch is checked at the start of a cycle and during operation. The compressor delay begins from the moment the switch is opened. Three faults in a 30 minute period will result in a lockout. LPF can be caused by, Low refrigerant levels, Seawater below 50°, or faulty low pressure switch.

OCA – OVER CURRENT AUGER AND ICE DELIVERY PROBLEM

If the auger current exceeds 1.3 amps for 230VAC or 2.6 amps for 115VAC equipment for ~500ms the unit will stop all operation and lockout. For Eskimo Ice models without a spout switch, the system relies on the amp reading of the auger motor to detect an ice clog and/or ice delivery problem along with an overload and/or bad auger motor. 115VAC systems must see 2.6 amps for 1 second to trip the OCA; 230VAC/60Hz and 220VAC/50Hz systems must see 1.3 amps for 1 second to trip OCA.

OCC – OVERLOAD CURRENT COMPRESSOR

If the compressor current exceeds 18 amps for 230VAC or 36 amps for 115VAC equipment for ~500 ms the unit will stop the compressor. Auger operation will continue for the duration of the auger delay then stop and lock out.

Spt – AUGER SPOUT BLOCKAGE

Not applicable with the EI540D.

UCA – UNDER CURRENT AUGER

If the auger current is less than the default value .5 amps for 1 second the unit will stop all operation and lock out. UCA fault can be caused by over voltage, open wire or open thermal overload.



NOTE

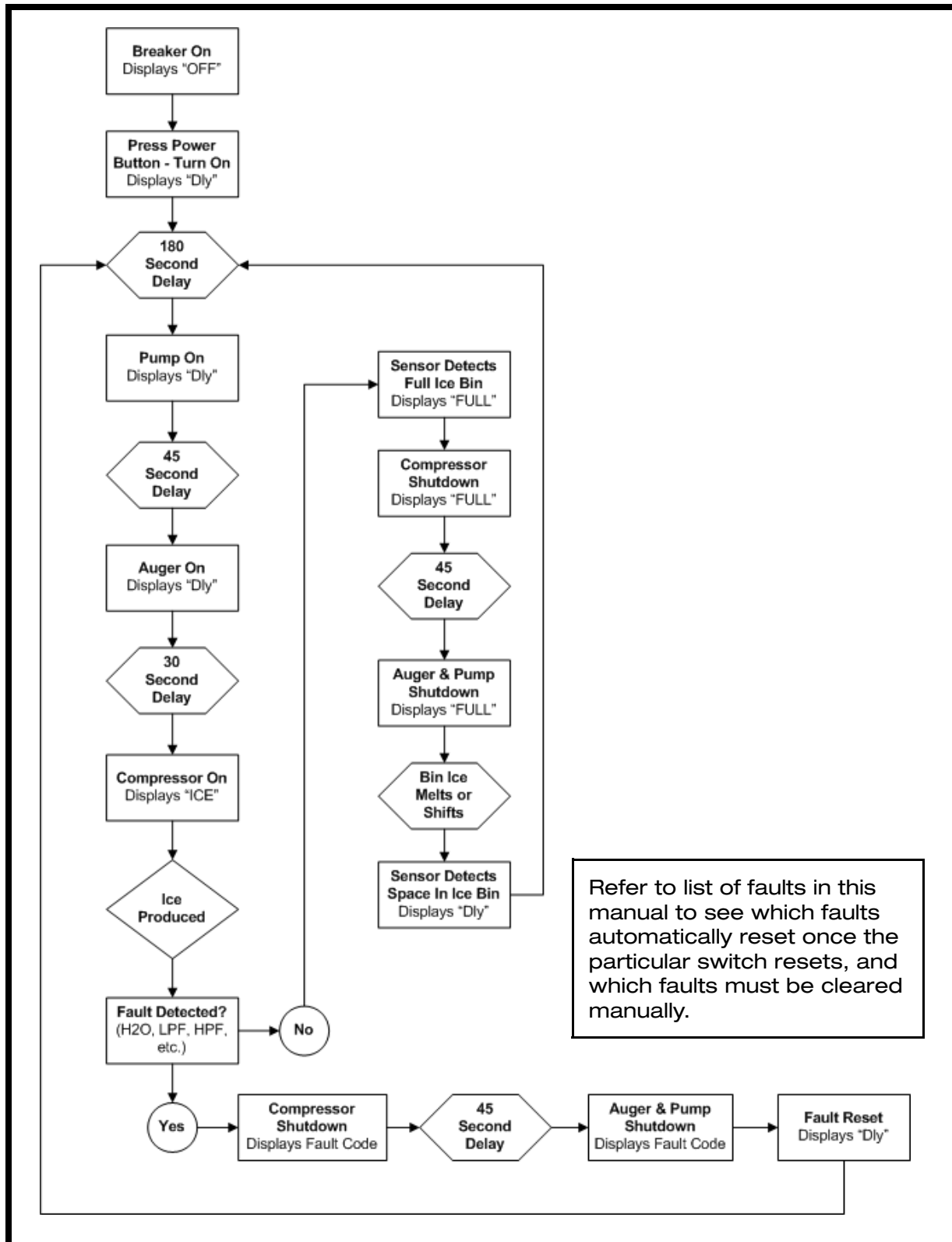
If you experience erratic behavior such as reoccurring nuisance faults or erratic display behavior reboot the system by shutting off at breaker for 30 seconds and powering back up. This should clear any glitches caused by power surge, spikes or brown outs.

UCC – UNDER CURRENT COMPRESSOR

If the compressor current is less than the default value of 5 amps (115 volt) or 2 amps (230 volt) for ~500 ms the unit will stop operation and lock out. The auger will continue to run for the duration of the auger delay. UCC fault can be caused by over voltage or open wire.

THE CYCLE OF OPERATION

Figure 12: Typical Operation Cycle For Making Ice



PROGRAMMABLE PARAMETERS FOR SOFTWARE

The programmable parameters with their factory defaults described in this section. Table on page 16 contains the parameter codes along with their permitted values and default settings. Parameters P1 / t-1 through t-5 are user adjustable parameters.

Checking Software Revision Level

To confirm software revision, first turn off power to unit. Then, observe when power is reapplied: The display will light all LEDs for 2 seconds, the display will go blank for 1 second, then the display will show the software revision (C-19) for 2 seconds.

Entering And Using Program Mode

- While in the Off mode, enter program mode (P) by pressing and holding both the **On/Off** and **Function** buttons for 5 seconds.
- Then, to enter the (T) programming mode to make changes, push and hold the **RESET SWITCH** on the control box for 15 seconds until the **t-1** appears.
- Use the **On/Off** button to advance through parameters. Use the **Function** button to select the parameter value desired.
- Exit the program mode either by pressing and releasing both the **On/Off** and **Function** buttons or by waiting 60 seconds.

PROGRAM PARAMETER DESCRIPTIONS

P-1: t-1: High Pressure Restart Delay - This sets the start compressor restart delay after a high refrigerant pressure fault is cleared. The default setting is 0 and can be set from 0-30 minutes. Default "0" for off is mainly used for sport fishing where backing down can cause an airlock. Only use for continuous nuisance trips.

t-2: Low AC Line Voltage - This option can be set to detect low AC line voltage. Low AC line voltage condition must exist for 5 minutes for a shutdown to occur. Default setting is off and can be set from 75 to 100 (for 115VAC) or 175 to 200 (for 230VAC).

t-3: CAN ID - Used to set CAN bus ID. The range is from 1-254.

t-4: CAN Group ID - Used to set CAN bus group ID. The range is from 1-254.

t-5: Reset Programmable Parameters - Resets all programmable parameters to factory defaults. Set this setting to 1 and unit will reset all values. Setting will change back to 0 on exit of the programming mode or by pressing the On/Off button to scroll through parameters.



NOTE

Changes to technical parameters not listed above should be performed by an authorized service dealer. Please contact Dometic at 800-542-2477 for a dealer near you.

PROGRAM PARAMETER DEFAULT SETTINGS

Table 2 shows the default setting of each programmable parameter.

Table 2: Programmable Parameters - Values and Defaults

Number	Description	Default	Value Range
P-1 t-1	High Pressure Restart Delay	0	0 - 30 minutes
t-2	Low AC Line Voltage	off	75-100 or 175-200
t-3	CAN ID	n/a	1-254
t-4	CAN Group ID	5	1-254
t-5	Reset Programmable Parameters	0	0 = No, 1 = Yes

STARTING THE SYSTEM

START-UP CHECK LIST

Before you start the system:

- Confirm freshwater supply is on.
- Confirm freshwater filter is installed.
- Confirm that electrical connections are correct and tight.
- Confirm that the circuit breaker is of the correct size.
- Confirm the ice-level sensor is mounted securely, the cable is routed safely, and the sensor is functioning properly.
- Confirm all units are mounted securely.
- Confirm seawater connections have correct flow direction and all connections are tight.
- Confirm there are no loops or dips in the seawater system.
- Confirm all metallic parts are bonded correctly.
- Confirm frequently accessed parts are easily accessible (i.e., control panel, filters, CPV, refrigerant ports, etc.).
- Confirm ice-delivery hose is securely fastened and has insulation and drain hole, if needed.

START-UP PROCEDURE

1. Turn on the designated circuit breaker for the unit and also the one for the pump if it is on a separate breaker at the boat's electrical panel.
2. Open the seacock on the pump intake.
3. Press the On/Off switch on the ice-maker to power-on the unit. It displays "**dly**" to indicate it is in timer-delay mode for up to 255 seconds under normal default parameters before it displays "**ICE**" to indicate that it is in the ice-producing mode.
4. Confirm water is flowing through the overboard discharge.
5. Look for ice output within 5 to 10 minutes of system start-up, plus approximately one minute for each foot of hose between storage box and auger unit.

NOTE: The seawater pump should start automatically whenever the unit is running. Regularly check for seawater flow by observing the overboard discharge. If you do not observe any flow when the system is running, check for obstructions in the seawater cooling system.

SYSTEM SHUTDOWN

TEMPORARY SHUTDOWN

Some system conditions result in a temporary shutdown followed by an automatic restart once the situation is resolved. This is normal behavior, for example when the ice-level sensor detects that the ice-storage box is full.

SUSTAINED SHUTDOWN

Some system failures result in a sustained shutdown and are indicated by the appropriate fault code flashing in the digital display. A reset indicates an actual problem, not just a passing event, and the cause should be investigated.

Sustained shutdown in need of reset is caused by any of these events:

- High-pressure switch triggered 3 times within 30 minutes.
- Low-pressure switch triggered 3 times within 30 minutes.
- Auger motor high amps and low amps each time the fault occurs.
- Compressor high amps and low amps each time the fault occurs.

NOTE: If system needs to be reset more than twice within one day, have the system serviced.

SYSTEM RESTART/RESET

Use any one of these methods to restart operation:

- Turn the unit off then on at either the main digital control box or the optional remote digital display.
- Press the Reset switch on the unit's control panel.
- Turn the unit's circuit breaker off then on.

SERVICING THE SYSTEM

This section contains information critical to correct servicing of this Dometic ice-making system. Read and understand all information before beginning. If you have any questions, call the Dometic service department at 804-746-1313.

REFRIGERANT

Your Dometic ice-making system contains R-404A refrigerant, an environmentally safe gas. The unit comes pre-charged with the right amount of refrigerant for operation and should not need seasonal recharging. If recharging is necessary, R-404A should be charged in the liquid phase with "Charge-Guard" and weighed in according to data label located on electric box.

R-404A TOOLS

Use a dedicated R-404A gauge set.

THERMAL EXPANSION VALVE (TXV)

One feature of the TXV is that it modulates refrigerant flow according to load and conditions automatically. This enables more consistent ice production over a wide range of conditions.

The TXV comes set from the factory and will not need resetting in the field. If under warranty, call for authorization before tampering with the TXV, otherwise warranty will be voided!

RECHARGING THE SYSTEM

SYSTEM SHUTDOWN

Optimally, turn the system off 4 to 6 hours prior to servicing to allow refrigerant to reach ambient temperature. This will expedite the recovery of the refrigerant.

EVACUATE REFRIGERANT

1. Connect the gauge set to both the high and low side ports. Attach the center line of gauge set to the recovery unit.
2. Evacuate system per governing EPA regulations.
3. With the gauge set still connected to both ports, attach the center line of the gauge set to the vacuum pump.
4. Turn on vacuum pump. Open both high and low manifolds and allow the pump to run so the vacuum reaches 28" HG. Close gauge-set valves and turn off pump.
5. Leave the system for 15 minutes then observe the gauges. If any vacuum has been lost, check for leaks, especially at any mechanical fittings.
6. Repeat the vacuum process until a vacuum of 200 microns or less is achieved, 50 microns is ideal. If the system was open to the environment, allow 12 to 24 hours for evacuation. Close gauge-set valves and turn off pump. If no vacuum is lost, proceed with charging.

NOTE: If moisture was a problem, refer to Refrigeration Bulletin 02-1 for instructions on clean up. This bulletin is available on the DometicEnviro.com Customer News and Information website under Technical Field Notices 2002: "Control of Moisture in Refrigeration Systems" (FN#175-I2).

CHARGING THE SYSTEM

1. Remove line from vacuum pump and connect to a bottle of R-404A. The charge should be weighed in by placing the bottle on a refrigerant scale.
2. Turn the bottle upside down and purge the charge hose at the gauge set. R-404A should be charged in the liquid phase with "Charge-Guard" and weighed in according to data label located on electric box.
3. Allow refrigerant to flow in the high side until the correct weighed charge is reached (per data label). Disconnect refrigerant bottle.
4. Disconnect high-side refrigerant hose, then turn machine on to allow compressor to recover residual liquid in gauge manifold through low-side hose.

OWNER MAINTENANCE

The periods and procedures given for maintenance and cleaning are guides only and should not to be construed as absolute or invariable. Cleaning frequency will vary depending on local water conditions (hard water, etc.) and the ice volume produced.

SEAWATER SYSTEM

Check the seawater strainer daily and remove any debris. If you are in water where jellyfish or other debris are a problem, it may be necessary to add a strainer on the outside of the thru-hull fitting. Verify that all water connections are tight, and check for water flow from the overboard discharge. The centrifugal pump does not need any routine maintenance.

FRESH WATER FILTER AND Y STRAINER

Change the filter at least twice per year, or every 1500 gallons, whichever comes first. The correct filter helps prevent clogging of the needle valve and scale buildup within the evaporator chamber. Occasionally check the Y strainer and clean away any debris.

EVAPORATOR CLEANING

Every 6 months the evaporator should be cleaned by an authorized service agency. Under severe conditions of water with high mineral content, your machine may require more frequent cleaning. The following steps should be used:

1. Shut off feedwater supply to the ice machine.
2. Disconnect clear tubing from bottom evaporator, and drain all water from the evaporator and water reservoir. Reconnect the tubing.
3. Prepare an ice-machine cleaning solution per manufacturer's directions to make two quarts (1.9L) of cleaner. Follow instructions on bottle for mixing ratio.
4. Remove cover to the water reservoir.
5. Slowly pour the cleaning solution into the reservoir until just below overflow.
6. Allow solution to sit in reservoir for 15 minutes.
7. Turn the machine to the ON position and allow to make ice (Note: Ice quality may be poor).
8. Continue pouring cleaning solution into the reservoir, maintaining the level just below overflow, while the machine makes ice.
9. Continue ice making until all the solution is used and the reservoir is empty.
10. Turn the machine to the OFF position.
11. Disconnect clear tubing from bottom evaporator, and drain all cleaning solution from the evaporator and water reservoir. Reconnect the tubing.
12. Open the fresh water supply to the ice maker and allow reservoir to fill completely to rinse.
13. Disconnect clear tubing from bottom evaporator, and drain all rinse water from the evaporator and water reservoir. Reconnect the tubing.
14. Repeat the rinsing process another 2 times (3 times total) to purge ice machine of cleaning solution.
15. Turn the machine to the ON position.
16. Let the machine make ice for **AT LEAST 20 minutes** to flush out any remaining cleaning solution.
17. **Remove all ice from the ice-storage box; do not use any ice produced during the cleaning or rinsing cycles.**
18. Use hot water (if possible) to rinse the ice-storage box thoroughly.

**WARNING**

Ice-machine cleaners use strong acids. Read and follow all instructions and warnings on the container of the solution you use.

AUGER MOTOR AND GEARBOX

The auger motor and gearbox are permanently lubricated and need no maintenance unless leakage or contamination has occurred.

COMPRESSOR

The compressor has no user-serviceable parts, and is lubricated constantly during operation.

REFRIGERANT GAS

The refrigerant included in the system is adequate for the life of the system and should not need routine or seasonal charging. If the need exists for routine charging, have your dealer look for a refrigerant leak that needs repair.

WATER RESERVOIR

If water reservoir is fouled or contaminated, refer to "Evaporator Cleaning" on page 19 and follow that cleaning procedure, as the water reservoir is a window to your evaporator's condition.

FEEDWATER FILTER AND Y STRAINER

Change the filter at least twice per year, or every 1500 gallons, whichever comes first. The correct filter helps prevent clogging of the needle valve and scale buildup within the evaporator chamber. Occasionally check the Y strainer and clean away any debris.

WINTERIZING THE SYSTEM

Close the seacock and remove the inlet hose from the condensing unit. Allow all water to drain from the system. Loosen screws on the pump head to allow water to drain from the pump. Cutoff feedwater supply, and drain the unit. Remove water from the water reservoir inside the unit. You may also add non-toxic antifreeze to the water reservoir.

Use a shop wet-vac to remove the water from the evaporator through the ice discharge spout tube, or remove the water tank assembly from the spout and drain it.

TROUBLESHOOTING GUIDE

Before calling for service, review this list. It may save time and expense. This list contains common occurrences that are not a result of defective workmanship or materials.

If you still need service after trying these procedures, call your local dealer or the Dometic Group Marine Division service department at +1 954-973-2477 (Monday through Friday, 8AM - 5PM US Eastern Time) or +1 888-440-4494 (Evenings and weekends US Eastern Time).

PROBLEM	POSSIBLE REASONS & SOLUTIONS
Unit does not operate at all.	<ol style="list-style-type: none"> 1. Power switch in the "Off" position. Press power switch to turn the unit on. 2. Check for tripped breaker or blown fuses. 3. Significantly low voltage to unit. 4. Misconnected or loose plugs or wiring.
High-pressure fault. (HPF)	<ol style="list-style-type: none"> 1. Check seawater system for clogs, air trap, faulty pump, dirty strainer, or condenser in need of descaling. 2. Faulty pump relay trigger at relay station (if pump is used for more than one unit). Replace trigger.
Low-pressure fault. (LPF)	<ol style="list-style-type: none"> 1. Low refrigerant charge. Have a certified technician check the pressure. 2. Improperly set Thermal Expansion Valve (TXV). If under warranty, call for authorization before adjusting TXV, otherwise warranty will be voided.
Ice-clog. (OCA)	<ol style="list-style-type: none"> 1. Check for obstruction at the ice discharge in the ice-storage box. 2. Check for frozen ice-delivery hose. 3. Check routing for dips or kinks in the ice-delivery hose. 4. Check for auger motor failure.
Feedwater fault. (H2O)	<ol style="list-style-type: none"> 1. Check water pressure in boat's potable water system. 2. Check for a supply valve that has been turned off. 3. Check for a clogged feedwater filter. 4. Check for a clogged Y strainer located on the feedwater line of the unit. 5. Check for a clogged needle valve in the water reservoir.

PROBLEM	POSSIBLE REASONS & SOLUTIONS
Ice delivery volume seems less or slower.	<ol style="list-style-type: none"> 1. High seawater temperature. 2. High feedwater temperature. 3. Low seawater flow. Check pump and strainer. 4. Drive motor weak. Replace motor. 5. Auger corroded or stained due to water conditions. Clean and/or replace assembly. 6. Inlet water filter or Y-strainer partially clogged. Clean or replace filter. Remove clog. 7. Loss of refrigerant charge. Consult trained technician.
Water leaks.	<ol style="list-style-type: none"> 1. Defective water seal. Replace seals. 2. Water level in reservoir too high. Adjust float.
Display consistently shows "Full".	<ol style="list-style-type: none"> 1. Make sure ice sensor is installed in the ice-storage box. 2. Check ice sensor for proper operation.
Squeaking or groaning noise coming from evaporator/auger assembly. Typically heard once per revolution as auger rotates.	<ol style="list-style-type: none"> 1. This type of noise is normal during ice production. It is caused by the shearing of extremely hard ice from the evaporator wall. No adjustment is necessary as this is normal. 2. See description of "excessive noise" below to compare.
Excessive buzzing, grinding noise from evaporator/auger assembly. Usually constant.	<ol style="list-style-type: none"> 1. Mineral or scale deposit on auger and evaporator walls. Clean evaporator as described in "Evaporator Cleaning" on page 19. 2. Low water supply. Check for fouled filter or float valve. 3. Gear-reducer assembly loose on mounts. Tighten the mounts. 4. Gear-motor end-play or worn bearing. Replace worn part.
Oil in auger assembly drain pan.	<ol style="list-style-type: none"> 1. Leaking water seals in the evaporator/auger assembly. Replace seals.

TECHNICAL ASSISTANCE

If you need technical assistance with your Eskimo Ice system go to www.dometic.com/marinedealers to locate a sales and service dealer near you or contact Dometic Customer Support:

- **USA:** 800-542-2477 8:00 AM to 5:00 PM Eastern Time, or 888-440-4494 after hours and weekends
- **Europe & the Middle East:** +44 (0) 870-330-6101
- **All other areas:** Visit our website to find your nearest dealer: www.dometic.com/marinedealers

DIAGRAMS

SYSTEM CONNECTION

Figure 13: Diagram of System Components and Water Flow

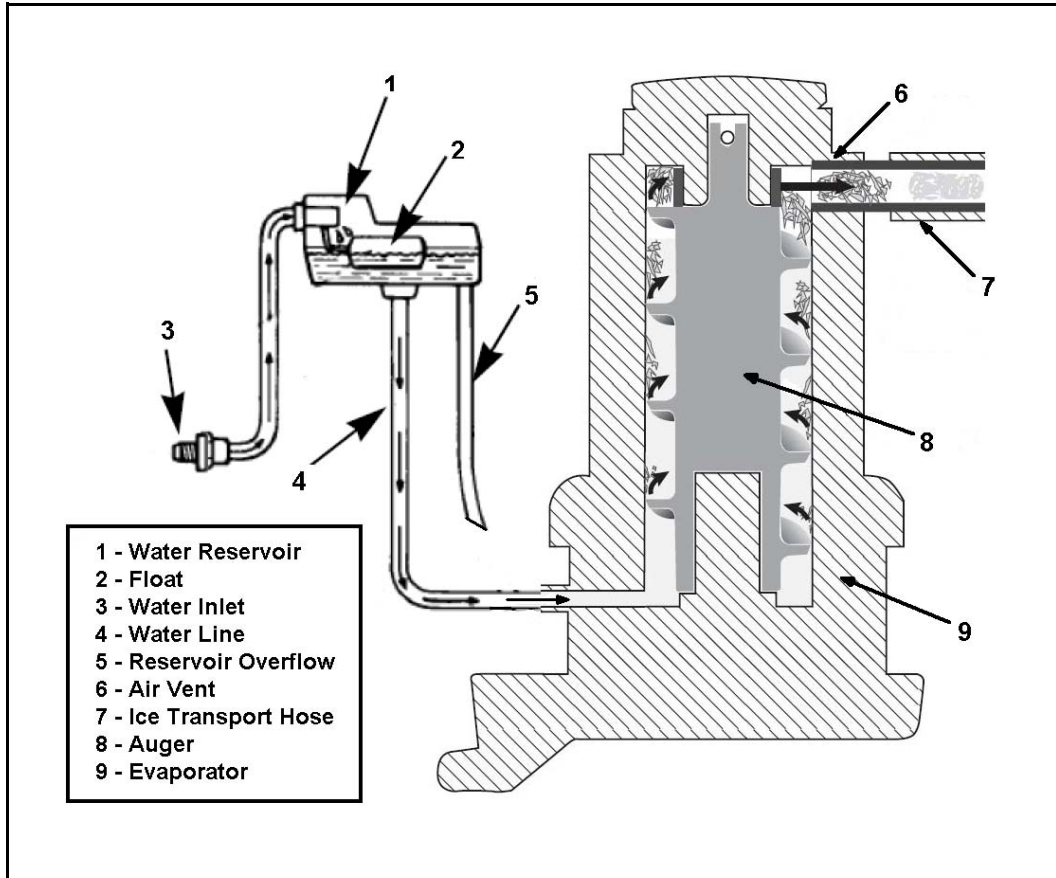
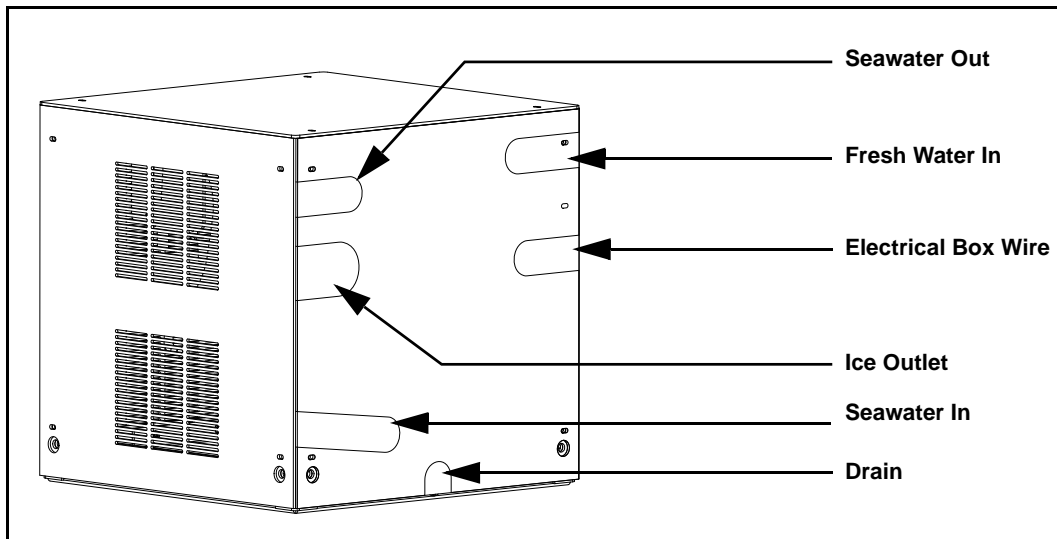
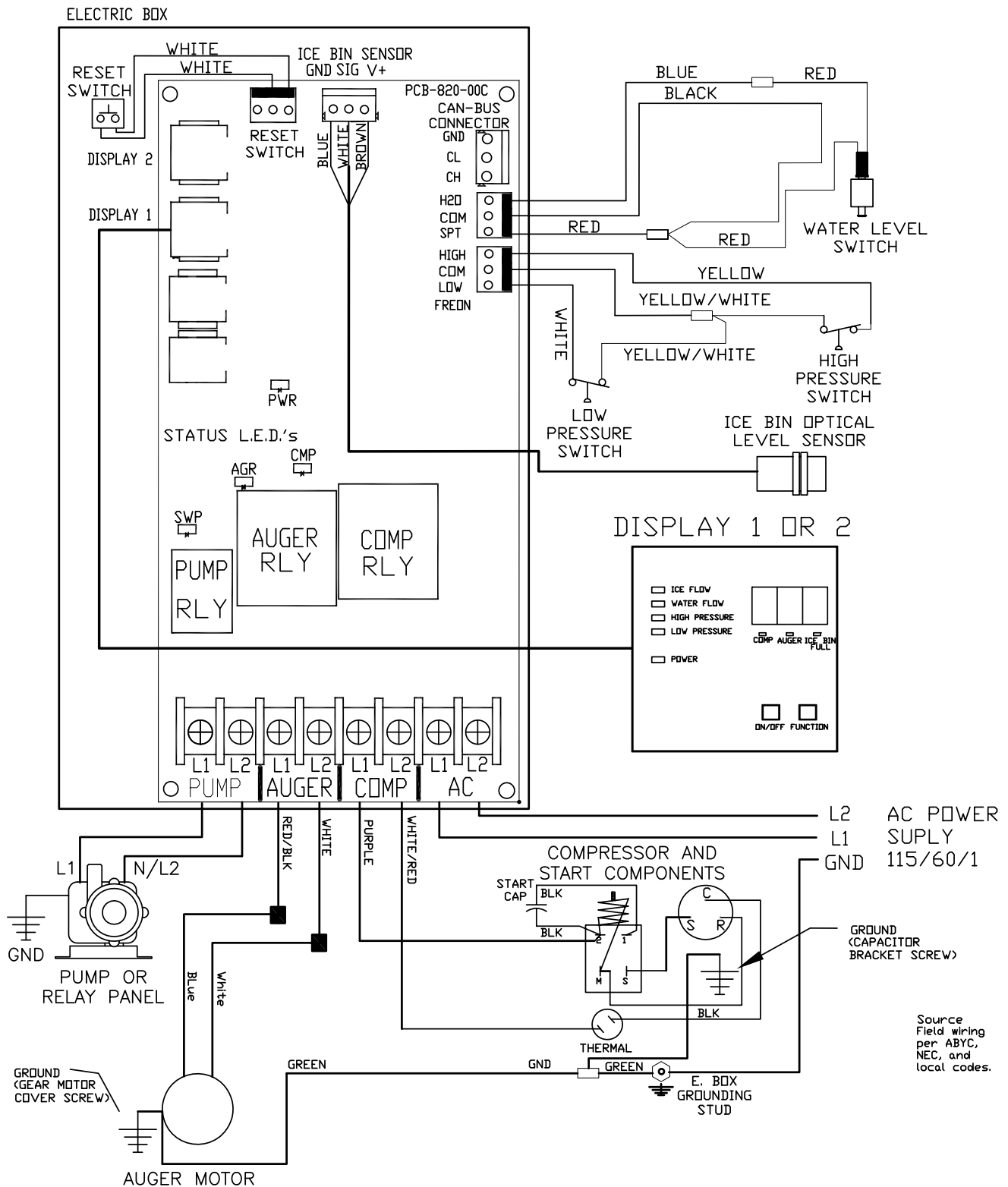


Figure 14: EI540D Connection Locations



ELECTRICAL WIRING FOR 115V 60 Hz MODELS

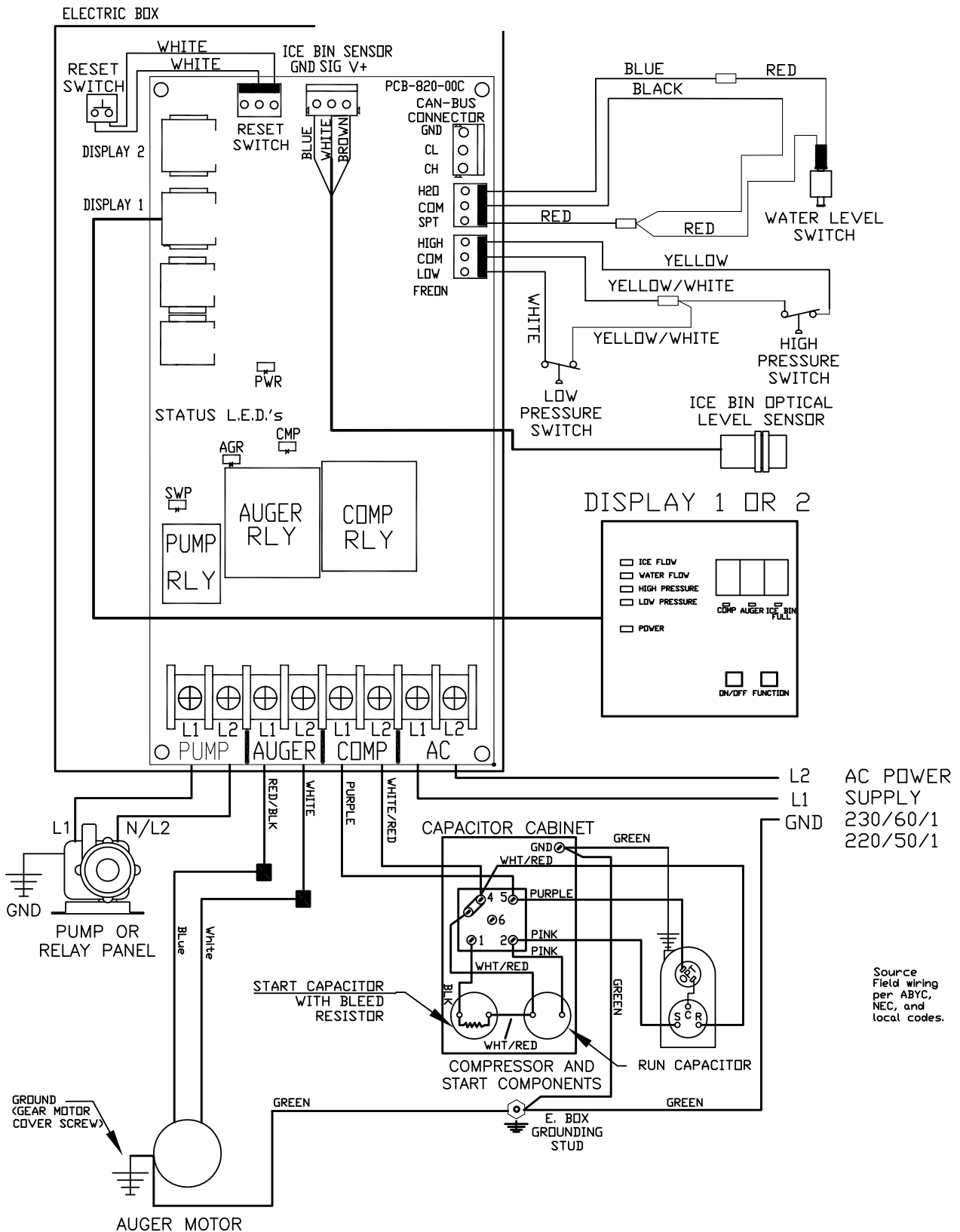
Figure 15: Wiring Diagram for 115V 60Hz Models



Source Field wiring per ABYC, NEC, and local codes.

ELECTRICAL WIRING FOR 230V 60 Hz MODELS & 220V 50 Hz MODELS

Figure 16: Wiring Diagram for 230V 60Hz Models and 220V 50 Hz Models



OWNERS LIMITED WARRANTY

As hereinafter described, Dometic limits the duration of any implied warranty to the duration of the underlying express warranty and also disclaims any liability for consequential or incidental damages arising from any application, installation, use or malfunction of any warranted product.

SECTION I - WHAT'S COVERED

What does the Limited Warranty cover?

Products manufactured by Dometic Corporation (Dometic) are under limited warranty to be free from defects in workmanship or materials. This being under normal use and service, with the obligation of Dometic under this limited warranty, being limited to replacing or repairing any component(s) which shall disclose defects within the limits defined in **Section III**. Which upon examination by Dometic, shall appear to the satisfaction of Dometic to be defective or not up to specifications.

This Limited Warranty is made in lieu of all other express warranties, obligations, or liabilities on the part of Dometic. In addition, Dometic shall not be responsible for any incidental or consequential damages. In those instances in which a cash refund is made, such refund shall effect the cancellation of the contract of sale without reservation of rights on the part of the purchaser. **Such refund shall constitute full and final satisfaction of all claims which the purchaser has or may have against Dometic due to any actual or alleged breach of warranty, either express or implied, including, without limitation, any implied warranty or merchantability or fitness for a particular purpose.** Some states do not allow the exclusion or limitation of incidental or consequential damages so the above limitation may not apply to you.

The Dealer is not an agent for Dometic, except for the purpose of administering the above warranty to the extent herein provided. Dometic does not authorize the dealer or any other person to assume for Dometic any liability in connection with such warranty, or any liability or expense incurred in the replacement or repair of its products other than those expressly authorized herein. Dometic shall not be responsible for any liability or expense except as is specifically authorized and provided in this section.

Dometic reserves the right to improve its products, through changes in design or material without being obligated to incorporate such changes in products of prior manufacture. Dometic can make changes at any time in design, materials, or part of units of any one, model year, without obligation or liability to owners of units of the same year's model of prior manufacture.

This warranty gives you; the purchaser, specific legal rights, and you may also have other rights which vary from state to state. You also have implied warranty rights, including an implied warranty of merchantability, which means that your product must be fit for the ordinary purposes for which such goods are used. **The duration of any implied warranty rights is limited to the duration of the express warranty as found in Section III.** Some states do not allow limitations on how long an implied warranty lasts, so the above limitation may not apply to you.

SECTION II - WHAT'S NOT COVERED

What does this Limited Warranty not cover?

This Warranty Shall Not Apply to:

1. Failure to install main water filter cartridge.
2. Failures resulting from improper installation or use contrary to instructions.
3. Failures resulting from abuse, misuse, accident, fire, or submergence.
4. Any part manufactured by Dometic, which shall have been altered so as to impair its original characteristics.
5. Any parts which fail as a result of misuse, improper application or improper installation.
6. Items not manufactured by Dometic, i.e., items, which are purchased from another manufacturer and supplied as received by Dometic without alteration or modification except as any part of a Dometic manufactured unit or component.
7. Components or parts used by or applied by the purchaser, as an integral part of products not manufactured by Dometic.
8. Labor resulting from difficult access to a Dometic product. The original installer or OEM is responsible for accessibility of unit.
9. Freight Damage.
10. Pumps that have been run dry, are water damaged or have blown freeze plugs.
11. Pumps with cracked heads.
12. Pump seals are not covered.

13. Liquid line filter dryers are not covered.
14. Logic boards with water damage.
15. Logic boards with blown MOV's (Power Surge)
16. Mis-programmed displays.
17. Display heads with water damage.
18. Dirty condensers and/or evaporators.
19. Failures due to improper winterization.
20. Unit damage as a result of improper return packaging.
21. Replacement of freon with substitute without authorization from factory.
22. Environmental and/or Recovery Fees.
23. Welding and Nitrogen Fees.
24. Travel costs are included in the hourly labor allowances and should not be billed as a separate item without preapproval from the factory.

Installation and application of Dometic components is not warranted by Dometic, because Dometic has no control or authority over the selection, location, application, or installation of these components.

SECTION III - COVERAGE PERIOD

What is the period of coverage?

(See **Limited Warranty Periods** at the end of this book).

All Dometic components bear a data plate on which there are model and serial numbers. The serial number is date coded. To determine whether or not any Dometic component is in warranty, proceed as follows:

1. Determine the manufacture date of the component from the serial number on the data plate. If you are not familiar with the date code, write or call the Dometic Customer Service Department to obtain the manufacture date. The hours of the Customer Service Department are 8:00 a.m. - 5:00 p.m. (USA, Eastern Standard Time Zone) Monday through Friday excluding holidays.
2. It is possible that there might exist a considerable time lag between the date a component is manufactured and the date it is put in service. In such instances, the date of manufacture could indicate that the item is out of warranty. However, based on the date the equipment is first put in service, the item may still be covered by the Dometic warranty as described in **Section I**. For proof of date put in service, Dometic will require a copy of the bill of sale of the Dometic equipment from the installer or new boat dealer to the original owner.

SECTION IV - GETTING SERVICE

How do you get service?

Please read the following Warranty Procedure:

If the failure of a Dometic component is determined to be covered under the Dometic warranty and the time in service is determined to be within the warranty time limit, the owner has the following three options:

1. Preferred option: Have a Dometic authorized Servicing Dealer, perform the work needed. The customer needs to call Dometic Customer Service Department for a recommendation as to the closest dealer. If the customer already knows an authorized servicing dealer, the dealer should be contacted directly.
2. Second option: If the customer contacts Dometic Service Department for a Servicing Dealer and Dometic has no one in that particular area, Dometic will authorize the use of a local service company and Dometic will work with the local company to assist in any way possible.
3. Third option: The customer may send his equipment back to the factory to have the repair work done. Dometic will make every effort to return the equipment to the customer within a three week time period. If the claim represents a legitimate warranty problem, Dometic will pay the freight both ways. Dometic prefers option one first, option two second, and option three only if one and two are not available.

The customer may contact the Dometic Service Department at (954) 973-2477 Monday through Friday, 8:00am - 5:00pm Eastern Time.

After hours (evenings and weekends) technical support is offered through Dometic's 24/7 Hotline at (888) 440-4494.

TABLE OF WARRANTY PERIODS

DOMETIC - ESKIMO ICE CRUSHED ICE SYSTEMS

Important Notes:

1. Warranty periods begin from the date of possession of the boat by the first owner if OEM installed or date of installation if dealer installed, but not to exceed three (3) years from date of production. The warranty is transferable and will carry the remainder of the original owner's warranty based on the original date of purchase or date of installation.
2. Proof of purchase or installation may be required to verify warranty coverage.
3. Any unit or replacement part installed due to a warranty failure carries the remainder of the original warranty. Warranty coverage does not start over from the repair/replacement date.
4. Warranty coverage shall not exceed three (3) years from the date of production.
5. These warranty periods are effective March 1, 2010.

DOMETIC

Product	Sale Type	Warranty Coverage
EI540D	OEM or Dealer Installed	1-Year Warranty, parts and labor. Not to exceed three (3) years from date of manufacture.

