

Dometic Spot Zero Double Pass System

Purifies Dock Water & Water Produced by Watermakers



SZ 3000Z DPPC model shown

Get the benefit of Spot Zero water from both of your freshwater sources—your onboard watermaker system and the potable water provided dockside. The patent-pending Spot Zero Double Pass system processes feed water from either source automatically.

The Spot Zero rejects about 98% of total dissolved solids (TDS) in any potable water supply, creating soft, pure water that lets water-sprayed surfaces dry clean without leaving spots that have to be wiped away. Air-drying after a Spot Zero rinse helps preserve the boat's paint and wax finishes since "wiping away" dissolved solids can grind them into finished surfaces, creating minute scratches.

Dometic Spot Zero water can also be used for bathing, cooking, drinking, and making crystal-clear ice onboard. Enjoy spot-free glassware, dishes, and shower surfaces, and eliminate mineral build-up in ice machines for less maintenance. It removes viruses, cysts, bacteria and radioactive contaminants.

The Dometic Spot Zero Double Pass system connects to any brand of watermaker, including the extensive range of Dometic Sea Xchange watermakers.

The Spot Zero Double Pass freshwater reverse-osmosis system has a compact, modular design and is fully equipped and customizable. It is available in two capacities to produce either 2,000 GPD (7,571 LPD) or 3,000 GPD (11,356 LPD).

Key Benefits

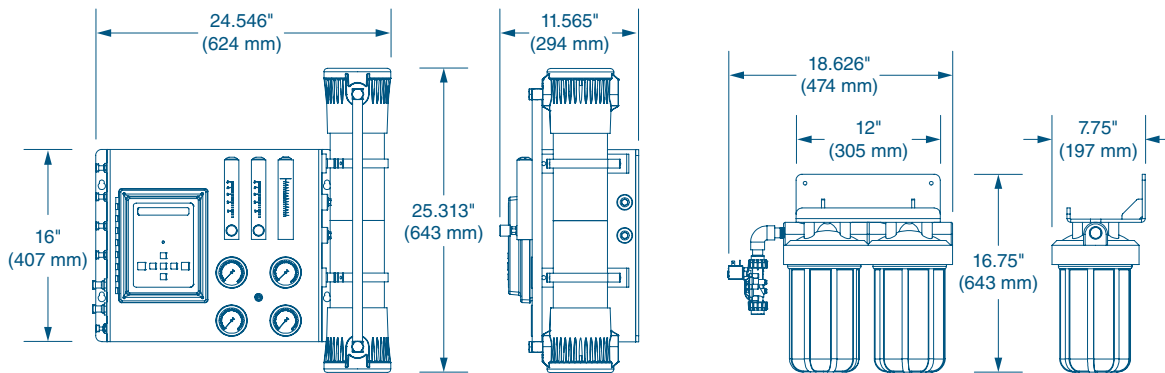
- Purifies water from dockside source
- Purifies water from onboard desalination system
- Eliminates water spots
- Removes 95-99% of total dissolved solids
- Removes viruses, cysts, and bacteria
- No need to chamois-dry surfaces
- Stop wasting time drying by hand
- Extends wax and paint life
- Provides pure water for bathing and drinking
- Compact design
- Very low power consumption
- Very low noise and vibration
- Available in capacities of 2,000 to 3,000 GPD/7,571 to 11,356 LPD

 **Dometic**
SPOT ZERO

Specifications for Dometic Spot Zero Double Pass System

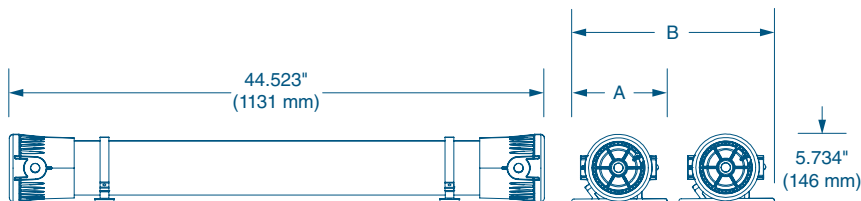
Model	SZ 2000 DPPC	SZ 2000Z DPPC	SZ 3000 DPPC	SZ 3000Z DPPC
Capacity Per Hour (gal/l)	85/321.8	85/321.8	125/473.2	125/473.2
Capacity Per 24 Hours (gal/l)	2,000/7,571	2,000/7,571	3,000/11,356	3,000/11,356
Amperage	10A @ 115V	5A @ 230V	10A @ 115V	5A @ 230V
Net Weight (lbs/kg)	117/53	117/53	137/62	137/62
Shipping Weight (lbs/kg)	210/95	210/95	242/110	242/110
Shipping Dimensions (H X W X D)	30 X 41.5 X 48.5 in. (762 X 1055 X 1232 mm)			

Dimensions



Control System

Pre-Filter Assembly



Membrane Vessel Assembly

Letter	Model	Membrane Qty	Width
A	SZ 2000 DPPC	1	7.944"/202 mm
B	SZ 3000 DPPC	2	16.878"/429 mm

DOMETIC MARINE DIVISION

2000 N. Andrews Ave. Ext. | Pompano Beach, FL 33069 USA | Tel. 954-973-2477 | Fax: 954-979-4414
 www.Dometic.com/Marine | MarineSales@DometicUSA.com

24/7 TECH SUPPORT FOR UNITED STATES & CANADA:

8:00 AM to 5:00 PM Eastern Time: 800-542-2477
 After hours and weekends: 888-440-4494

INTERNATIONAL SALES & SERVICES

Europe & the Middle East: Call +44(0)870-330-6101
 For all other areas visit our website to find your nearest distributor.

Dealer

