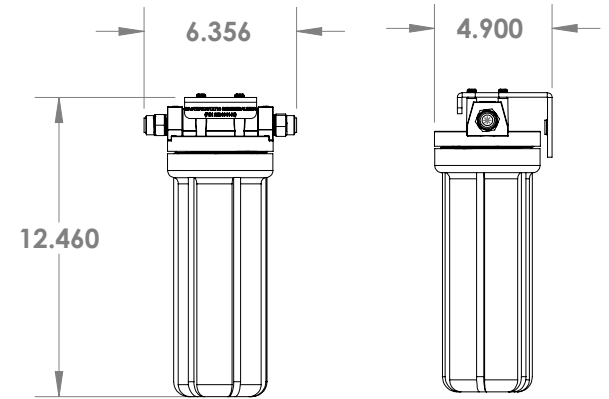
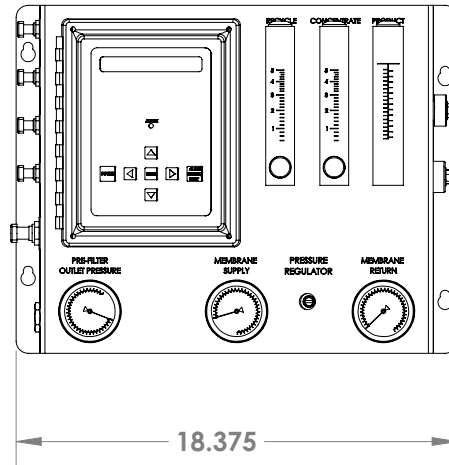
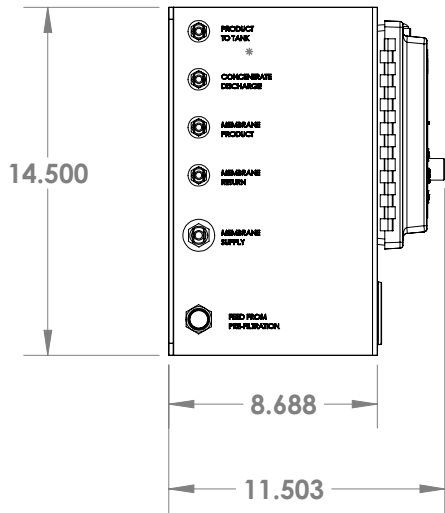
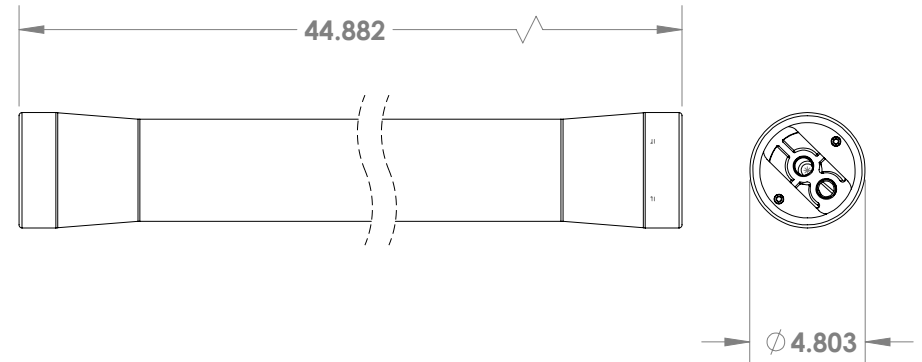
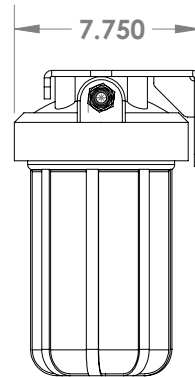
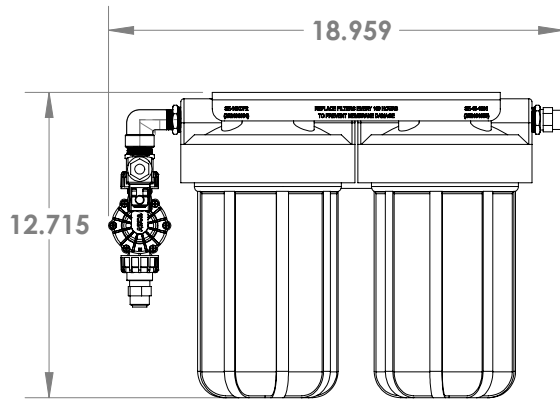


CONTROL UNIT



BACTERIOSTATIC REMINERALIZER



PRE-FILTERS

	NAME	DATE						
DRAWN	04-26-18	JIL	SPOT ZERO 2.0					
UNLESS OTHERWISE SPECIFIED:						CHECKED		
DIMENSIONS ARE IN INCHES						ENG APPR.		
TOLERANCES: ±.015						MFG APPR.		
FRACTIONAL: 1/32			Q.A.					
ANGULAR: MACH ±1/2 BEND ±1								
TWO PLACE DECIMAL ±.010								
THREE PLACE DECIMAL ±.005								
			SCALE: N/A	DWG.#: SZ0067	SHEET 1 OF 1			

PROPRIETARY AND CONFIDENTIAL
 THE INFORMATION CONTAINED IN THIS DRAWING IS THE SOLE PROPERTY OF SPOT ZERO. ANY REPRODUCTION IN PART OR AS A WHOLE WITHOUT THE WRITTEN PERMISSION OF SPOT ZERO IS PROHIBITED.