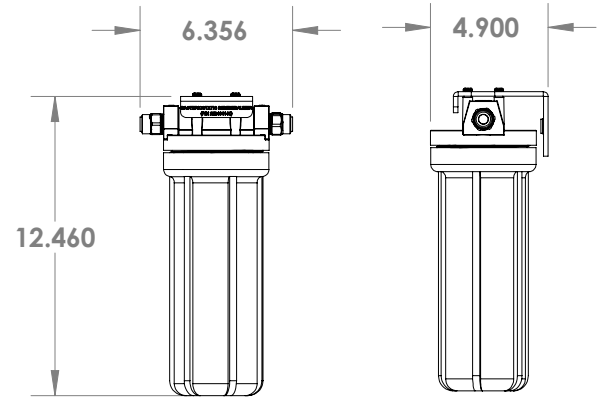
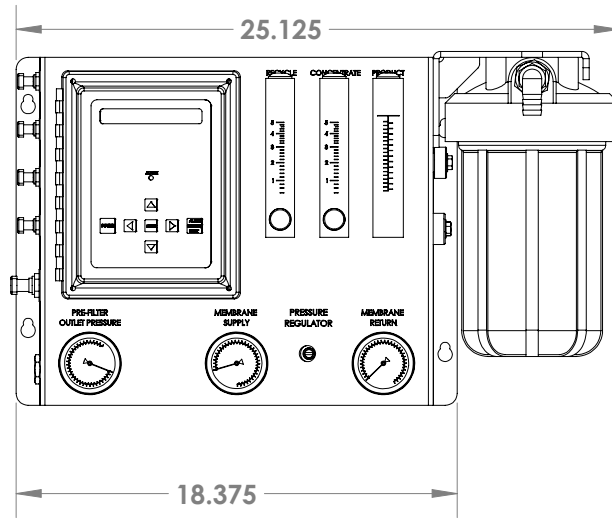
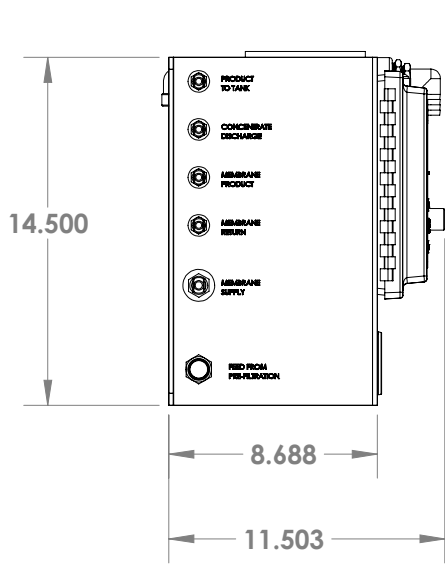
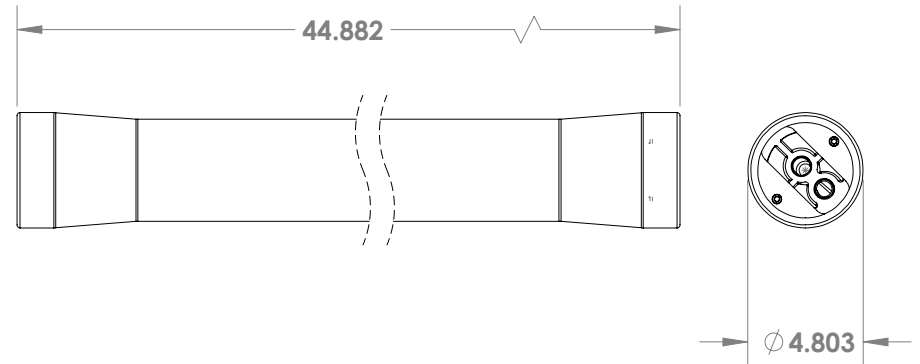
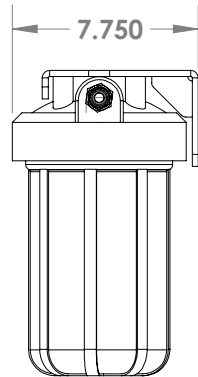
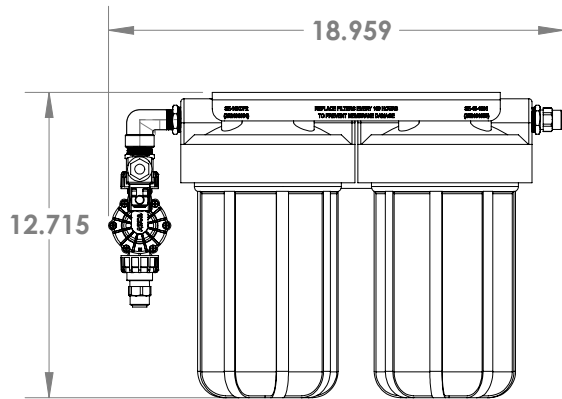


# CONTROL UNIT



# BACTERIOSTATIC REMINERALIZER



# PRE-FILTERS

PROPRIETARY AND CONFIDENTIAL  
 THE INFORMATION CONTAINED IN THIS DRAWING IS THE SOLE PROPERTY OF SPOT ZERO. ANY REPRODUCTION IN PART OR AS A WHOLE WITHOUT THE WRITTEN PERMISSION OF SPOT ZERO IS PROHIBITED.

UNLESS OTHERWISE SPECIFIED:

DIMENSIONS ARE IN INCHES  
 TOLERANCES: ±.015  
 FRACTIONAL: 1/32  
 ANGULAR: MACH ±1/2 BEND ±1  
 TWO PLACE DECIMAL ±.010  
 THREE PLACE DECIMAL ±.005

	NAME	DATE	DOMETIC SPOTZERO		
DRAWN	02-27-18	JIL	SPOT ZERO 2.0 DP		
CHECKED					
ENG APPR.					
MFG APPR.					
Q.A.			SCALE: N/A	DWG.#: SZ00xx	SHEET 1 OF 1