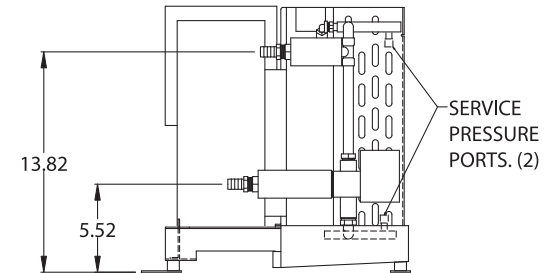
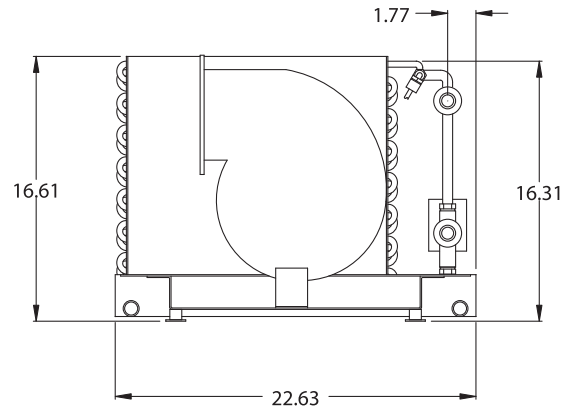
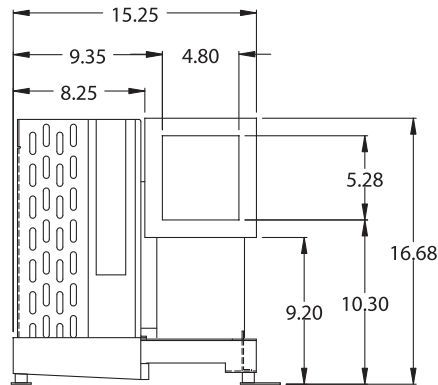


UNIT SHOWN WITH
BLOWER ROTATED 90°

MOUNTING FEET (4) CAN BE
ROTATED TO THE ALTERNATE
POSITIONS SHOWN.



ALL DIMENSIONS ±0.25"

WEIGHT = 38LBS.

REV	DATE	REVISION DESCRIPTION	DWG	APR	Dometic Corporation					
A	6/30/04	ADDED BLOWER DIM IN ROTATED VIEW,CAD445-04	DRR	JES						
B	8/18/04	ADDED BLOWER HEIGHT IN ROT VIEW,ADDED TOL,CAD577-04	DRR	JES	AT24HV AIR HANDLER					
C	1/27/05	REMOVED MARINE AIR,CAD082-05	DRR	JES						
					DATE: 6/21/04	DWG BY: DRR	PART NUMBER:	DWG	H3020093	REV C
					SCALE: 1:12	APR BY: JES	TBD			